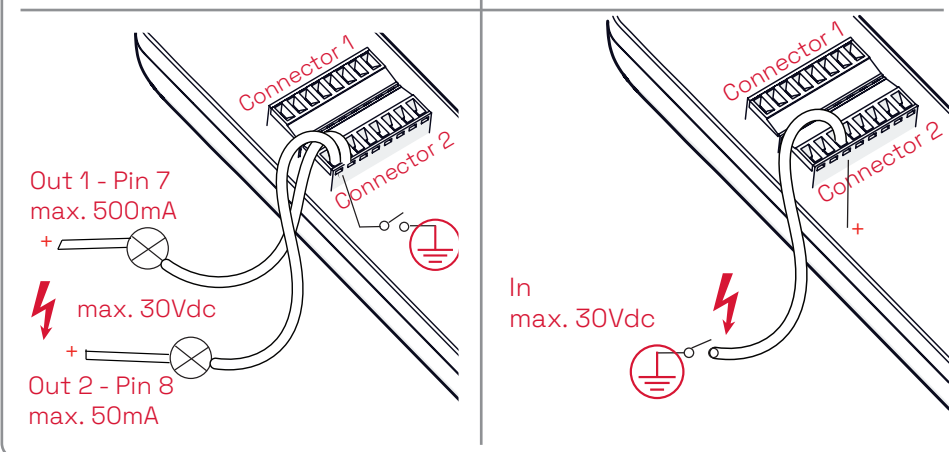
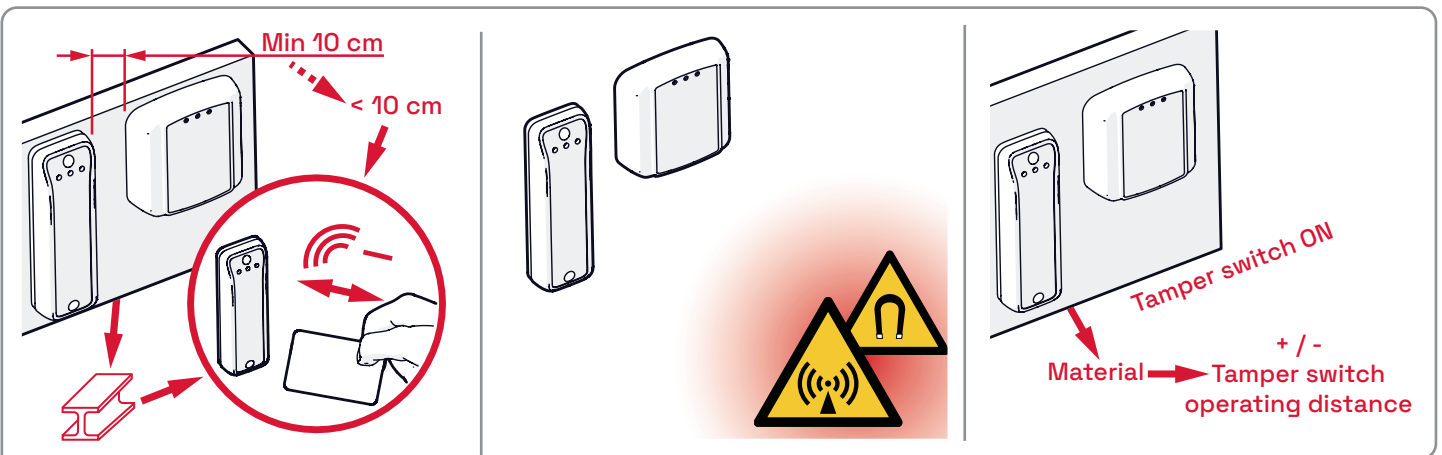
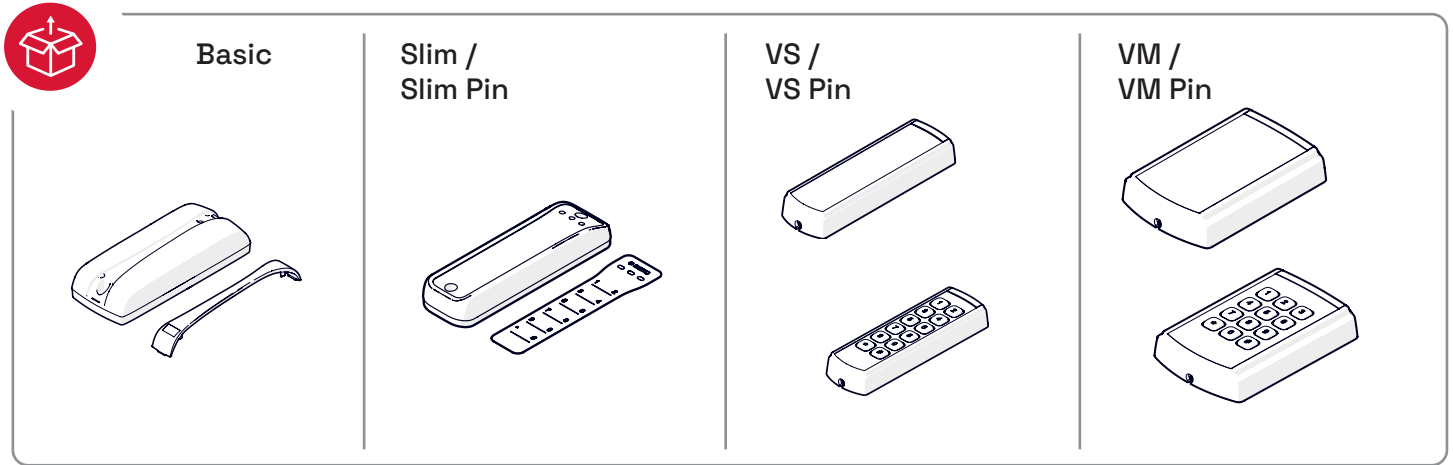


# Installation Instructions - version 1.08

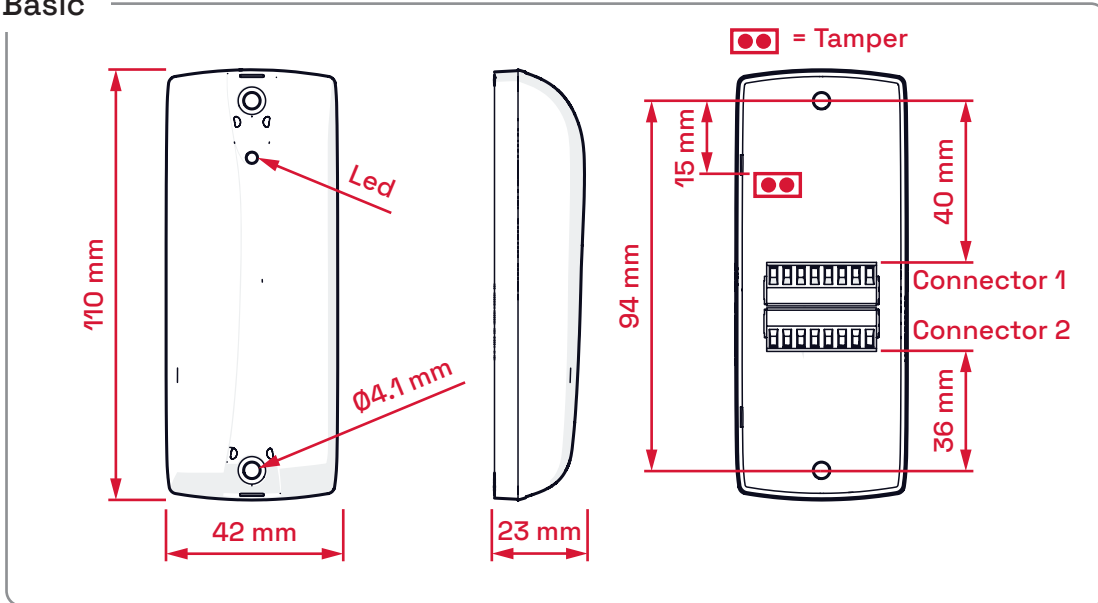
7C 2.0 / 8CD 2.0 / 7AH / 8CL 2.0 WIEGAND / RS232 / OSDPV2 / AES / RS485 CONN



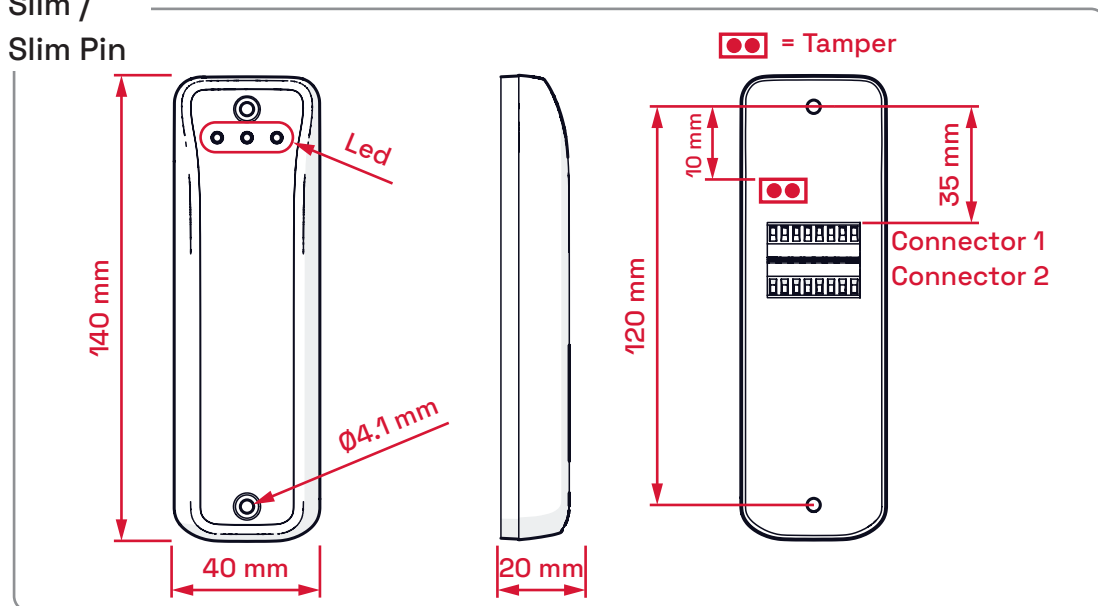
Idesco Oy vakuuttaa, että 7C 2.0 / 8CD 2.0 / 7AH / 8CL 2.0 WIEGAND / RS232 / OSDPV2 / AES / RS485 CONN -lukija on direktiivien 2014/30/EU (EMC), 2014/35/EU (Low voltage directive), 2011/65/EU (RoHS) ja 2014/53/EU (RED) oleellisten vaatimusten ja sitä koskevien direktiivien muiden ehtojen mukainen.

7C 2.0 / 8CD 2.0 / 7AH / 8CL 2.0 WIEGAND / RS232 / OSDPV2 / AES / RS485 CONN reader herewith complies with the requirements of the EMC Directive 2014/30/EU, the Low Voltage Directive 2014/35/EU, the RoHS Directive 2011/65/EU, the RED Directive 2014/53/EU and carries the CE marking accordingly.

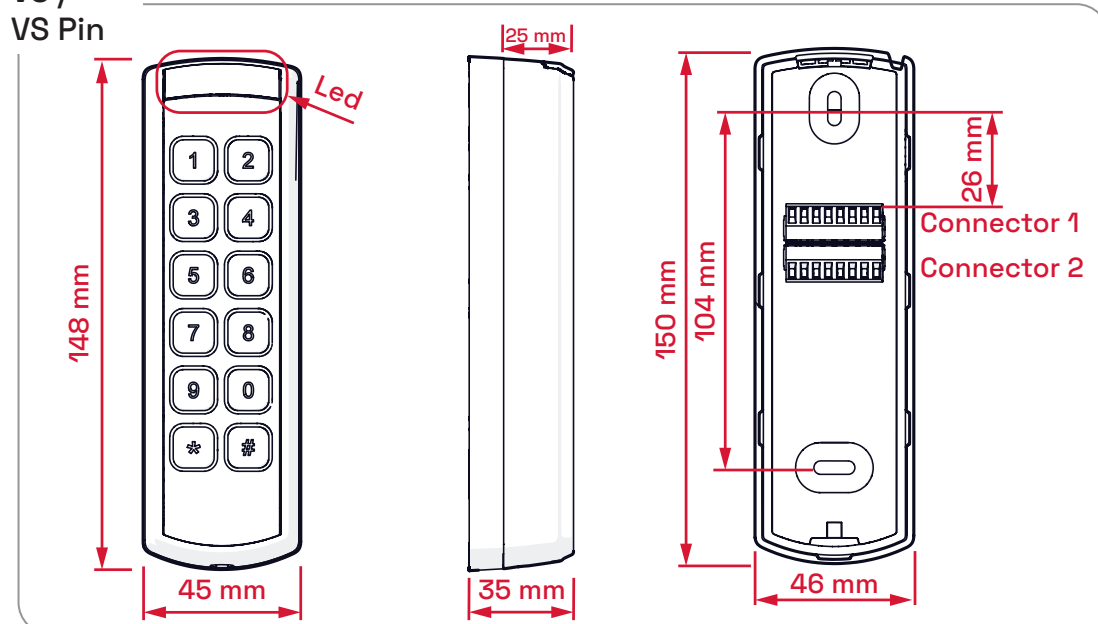
## Basic



## Slim / Slim Pin

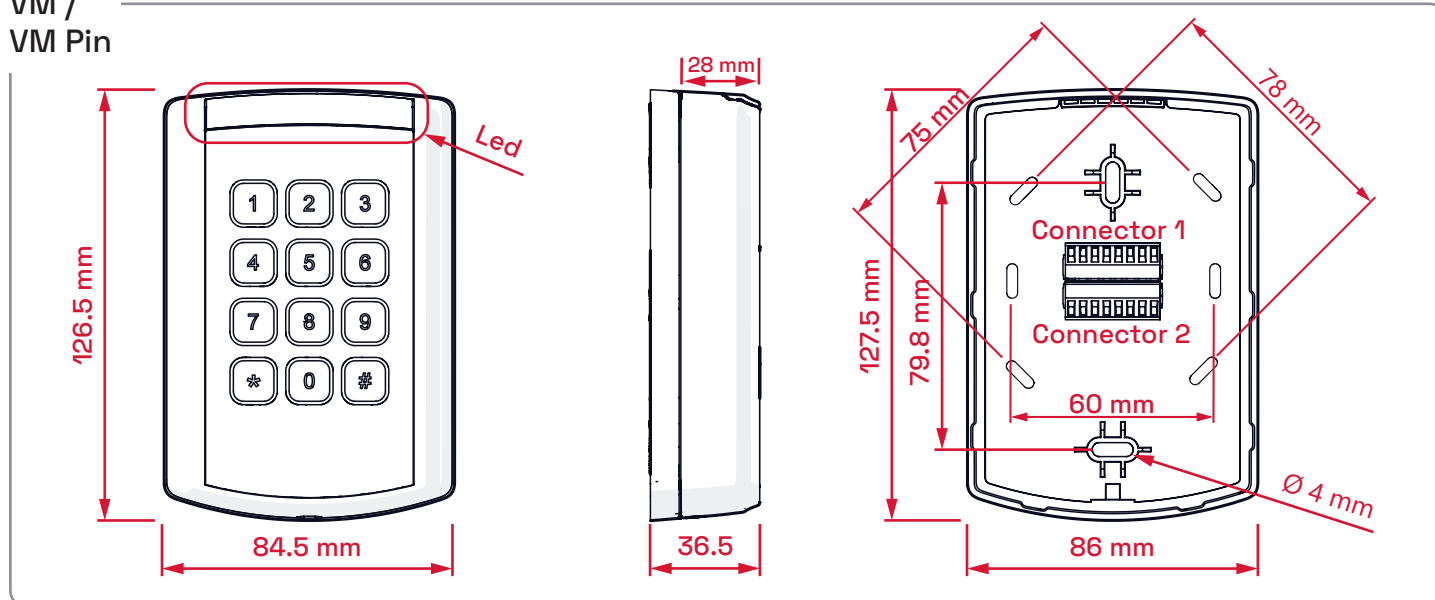


## VS / VS Pin



Click the lens or paste the sticker in place to finalize the installation.

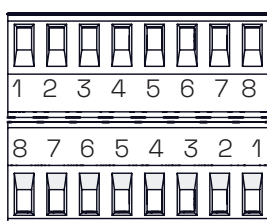
VM /  
VM Pin



**!** Paste the sticker in place to finalize the installation.

Power supply: 10...30 VDC 150

Connector 1



Connector 2

Connector 1	Pin	Wiegand/RS232	OSDPV2/AES/RS485
Vin	Pin 1	x	x
GND	Pin 2	x	x
WIE0 / (Data)	Pin 3	x	
WIE1 / (Clock)	Pin 4	x	
RS232 TxD	Pin 5	x	x**
RS232 RxD	Pin 6	x	x**
Green LED	Pin 7	x	
Red LED/Download	Pin 8	x	x**

Connector 2	Pin	Wiegand/RS232	OSDPV2/AES/RS485
Buzzer	Pin 1	x	
RS485 Data+	Pin 2		x
RS485 Data-	Pin 3		x
Backlight control*	Pin 4	x	
Pinpad control*	Pin 5	x	
In	Pin 6	x	x
Out 1	Pin 7	x	x
Out 2	Pin 8	x	x

\*) Applicable only for readers with pinpad

\*\*\*) Contact Idesco for more information