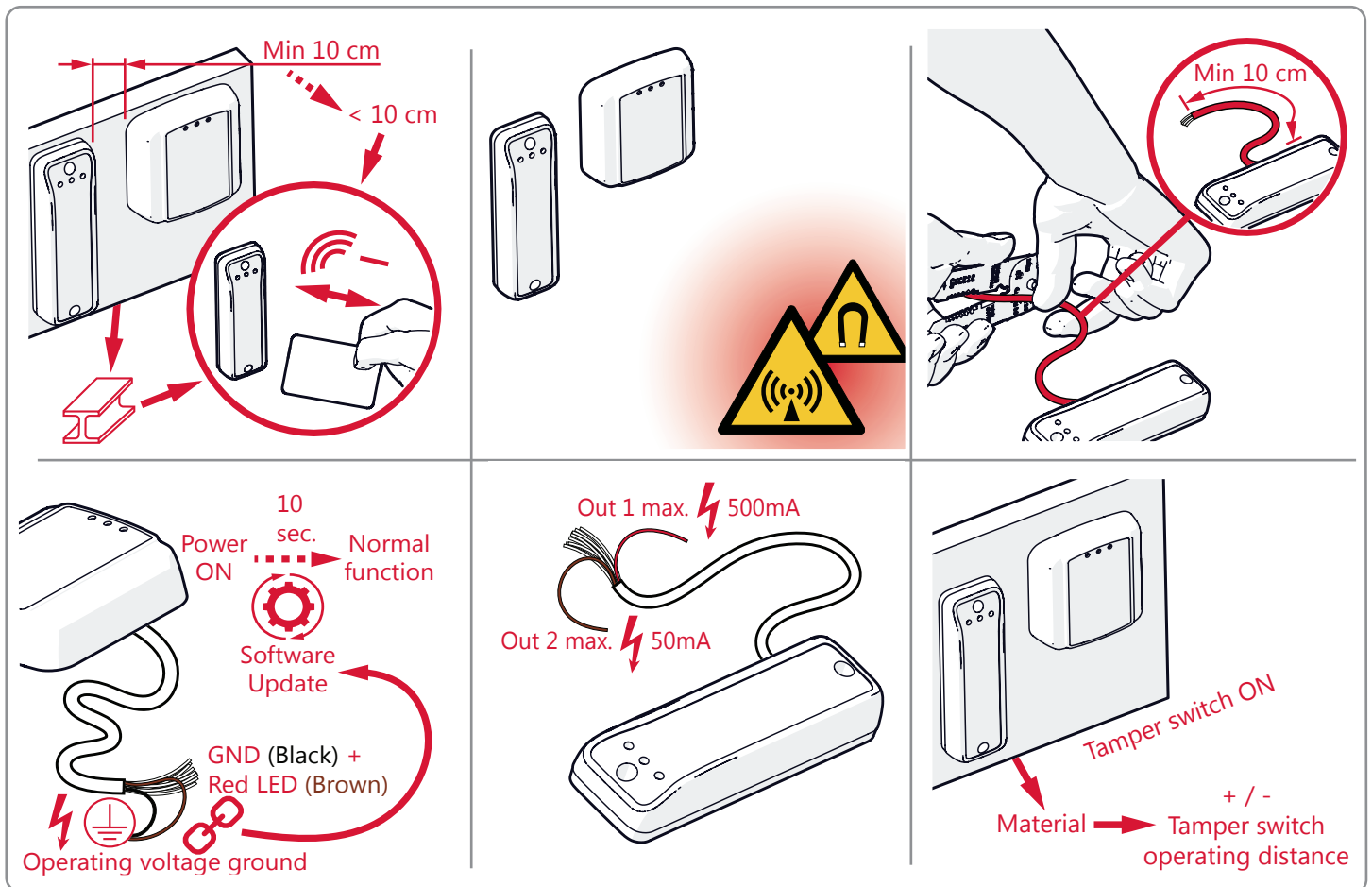
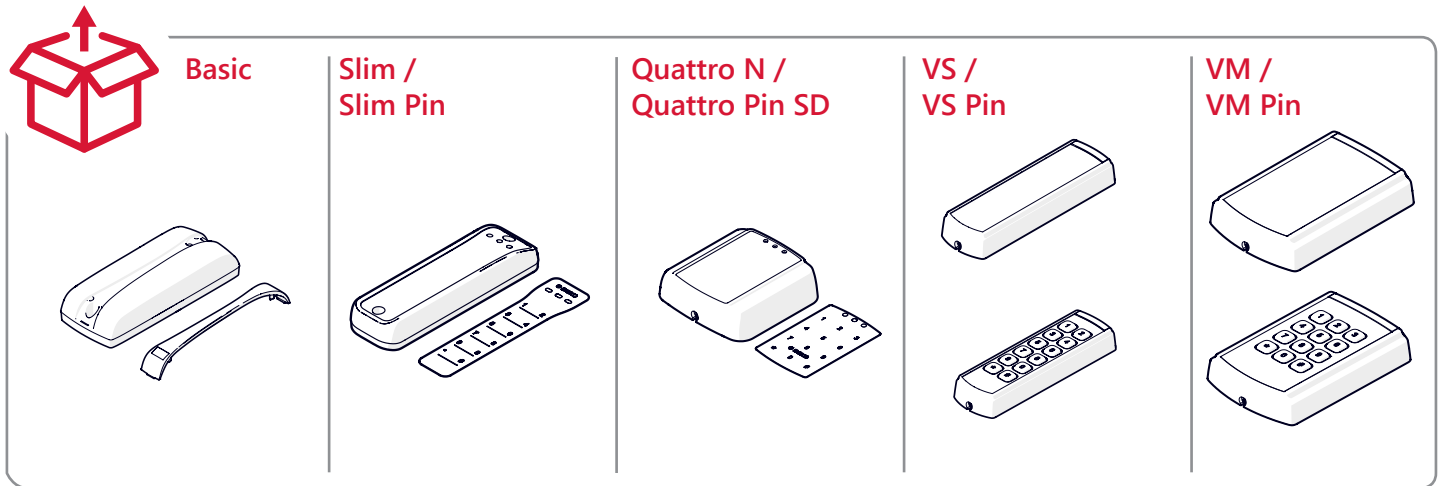


Installation Instructions - version 1.04

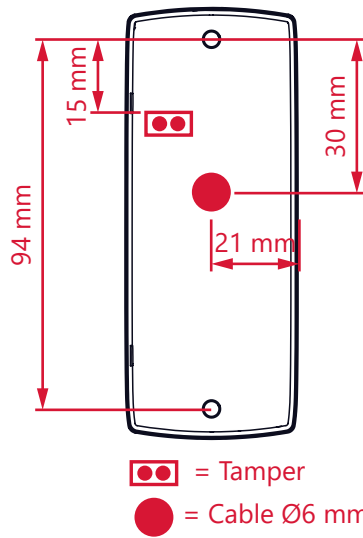
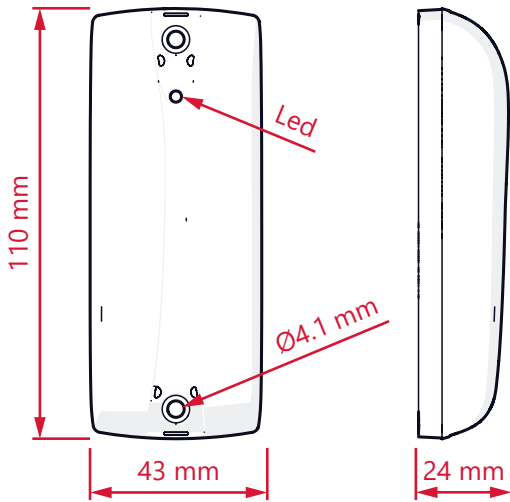
9CD 2.0



Idesco Oy vakuuttaa, että 9 CD 2.0 -lukija on direktiivien 2014/30/EU (EMC), 2014/35/EU (Low voltage directive), 2011/65/EU (RoHS) ja 2014/53/EU (RED) oleellisten vaatimusten ja sitä koskevien direktiivien muiden ehtojen mukainen.

9CD 2.0 reader herewith complies with the requirements of the EMC Directive 2014/30/EU, the Low Voltage Directive 2014/35/EU, the RoHS Directive 2011/65/EU, the RED Directive 2014/53/EU and carries the CE marking accordingly.

Basic



Power supply:
10...30 VDC 150 mA

Connection:

10...30 VDC..... Red

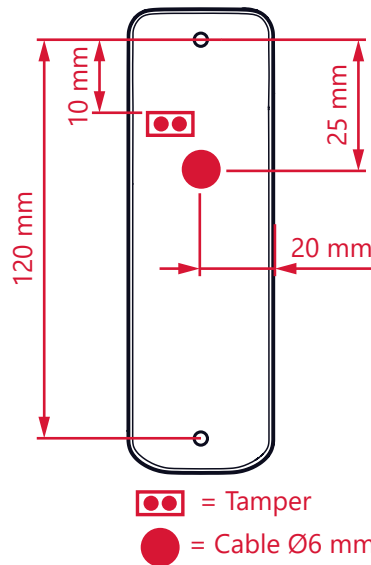
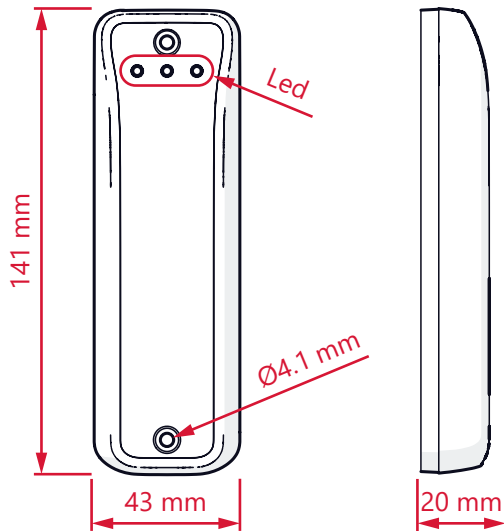
GND..... Black

TxD..... Pink

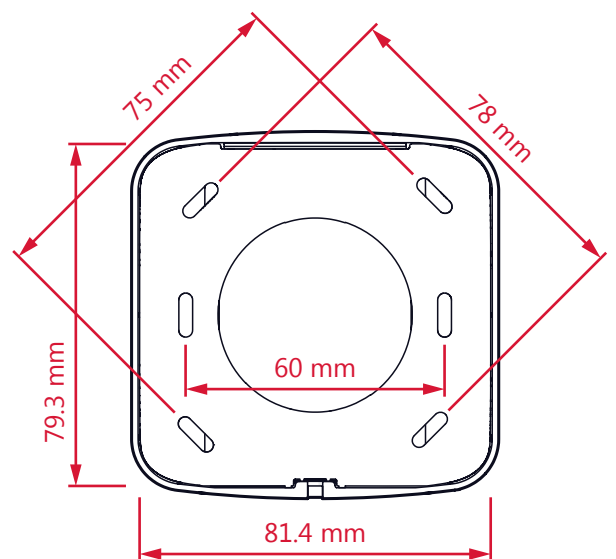
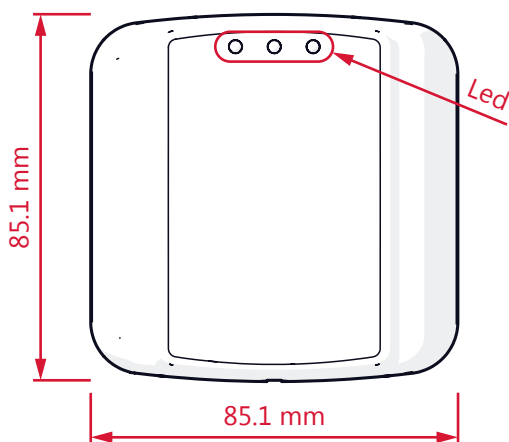
RxD..... Grey

Download..... Brown

Slim / Slim Pin

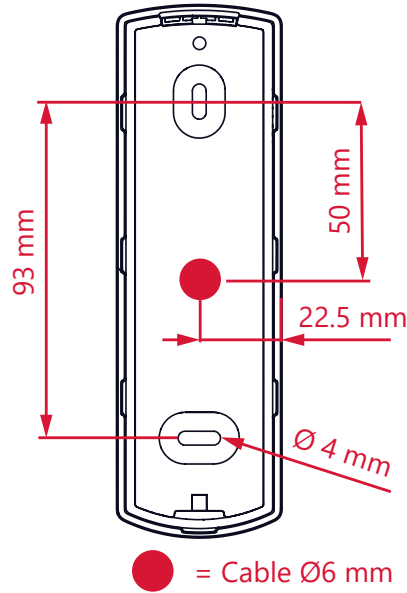
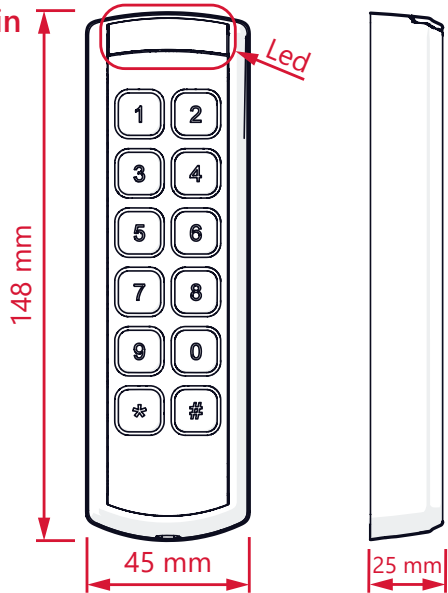


Quattro N / Quattro Pin SD



Paste the sticker in place to finalize the installation.

VS /
VS Pin



Power supply:
10...30 VDC 150 mA

Connection:

10...30 VDC..... **Red**

GND..... **Black**

TxD..... **Pink**

RxD..... **Grey**

Download..... **Brown**

VM /
VM Pin

