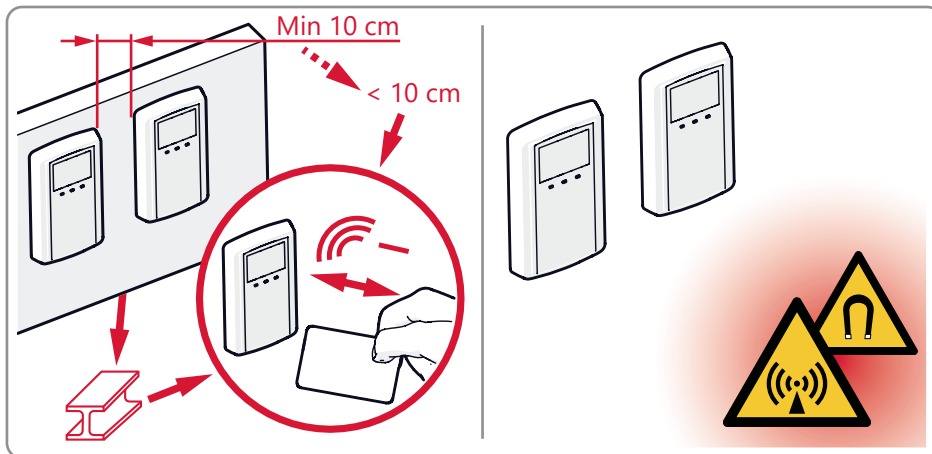
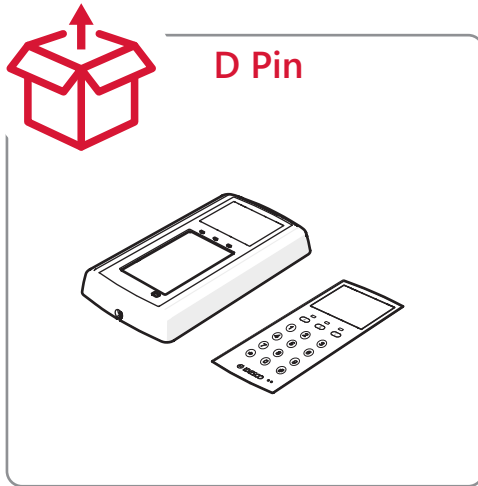


## Installation Instructions - version 1.02

### 8CD 2.0 MI D Pin



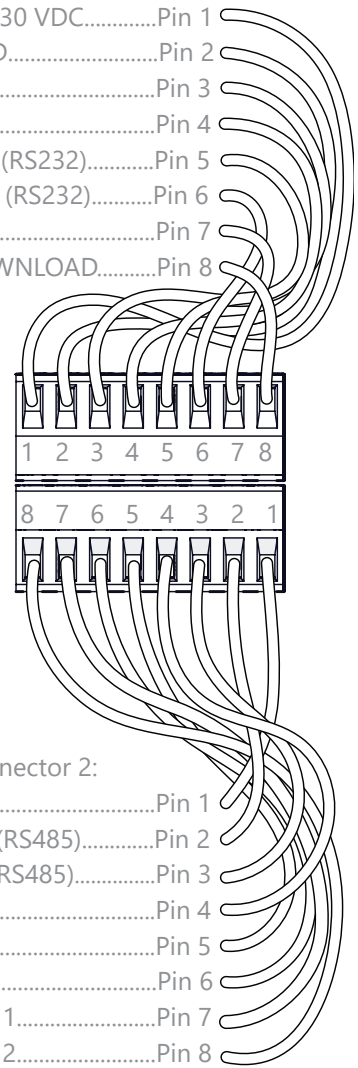
Idesco Oy vakuuttaa, että 8CD 2.0 MI D Pin - lukija on direktiivien 2014/30/EU (EMC), 2014/35/EU (Low voltage directive), 2011/65/EU (RoHS) ja 2014/53/EU (RED) oleellisten vaatimusten ja sitä koskevien direktiivien muiden ehtojen mukainen.

8CD 2.0 MI D Pin reader herewith complies with the requirements of the EMC Directive 2014/30/EU, the Low Voltage Directive 2014/35/EU, the RoHS Directive 2011/65/EU, the RED Directive 2014/53/EU and carries the CE marking accordingly.

Power supply:  
10...30 VDC 70mA@24VDC

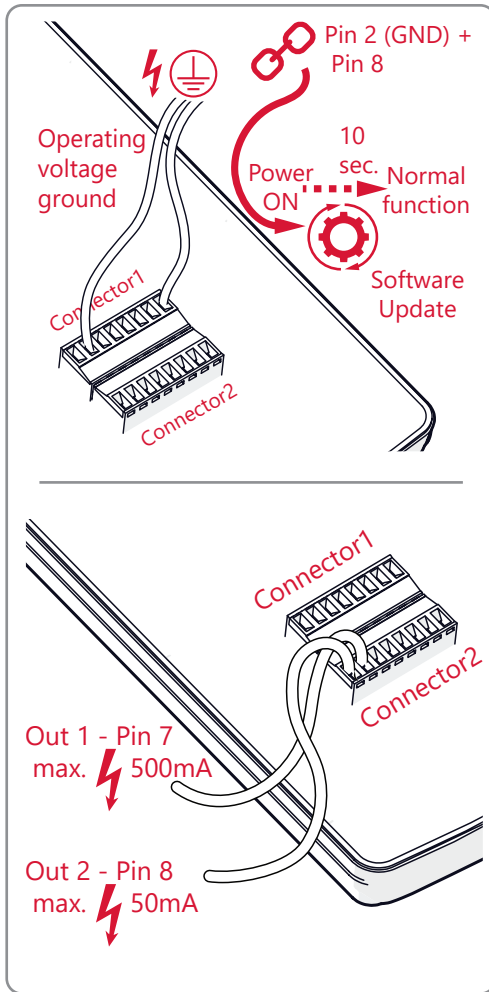
Connector 1:

- 10...30 VDC.....Pin 1
- GND.....Pin 2
- NC.....Pin 3
- NC.....Pin 4
- TxD (RS232).....Pin 5
- RxD (RS232).....Pin 6
- NC.....Pin 7
- DOWNLOAD.....Pin 8

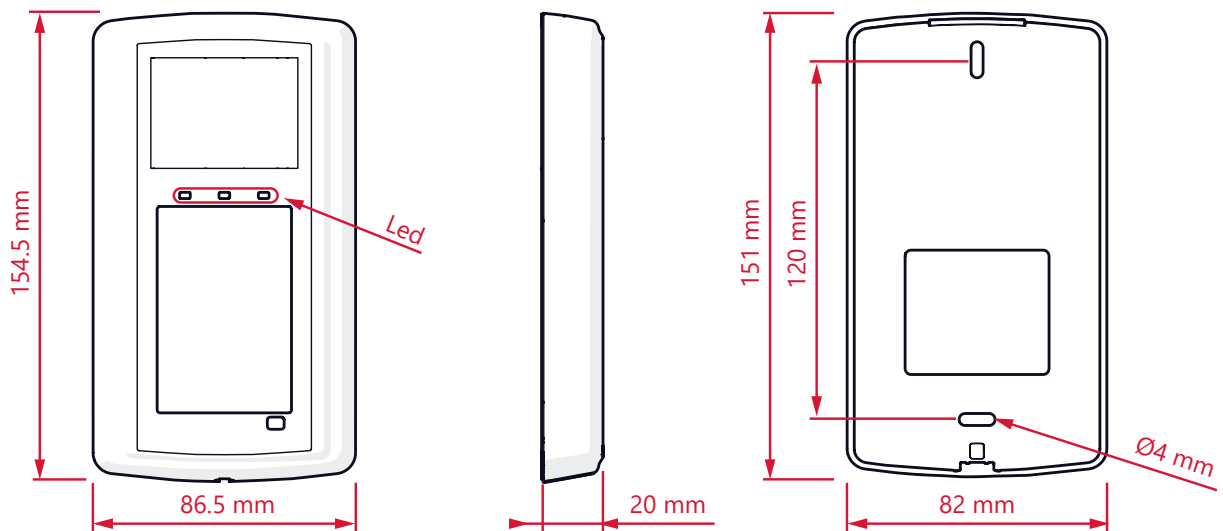


Connector 2:

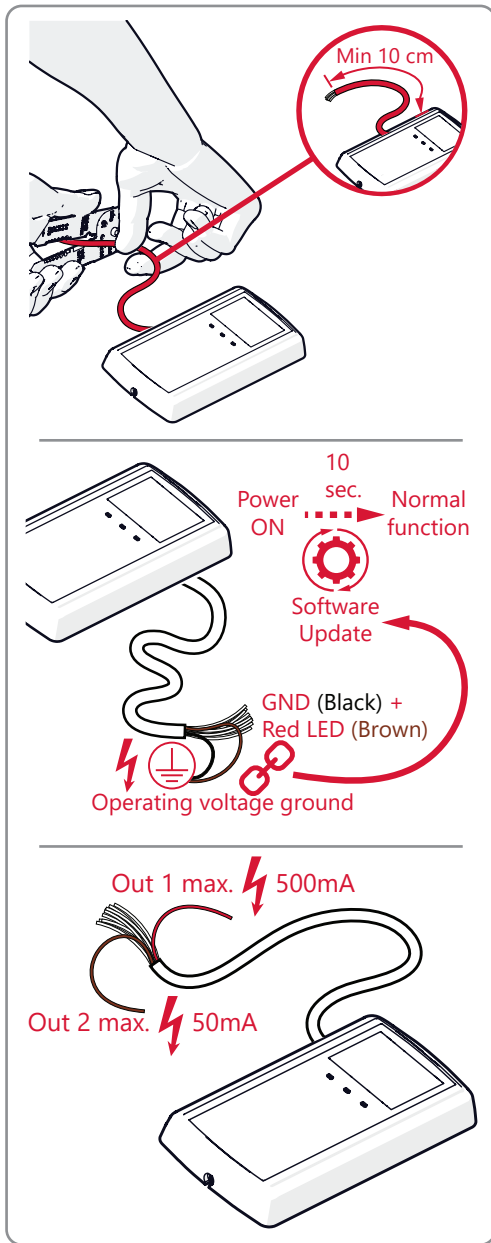
- NC.....Pin 1
- D+ (RS485).....Pin 2
- D- (RS485).....Pin 3
- NC.....Pin 4
- NC.....Pin 5
- In 1.....Pin 6
- Out 1.....Pin 7
- Out 2.....Pin 8



## D Pin



Paste the sticker in place to finalize the installation.

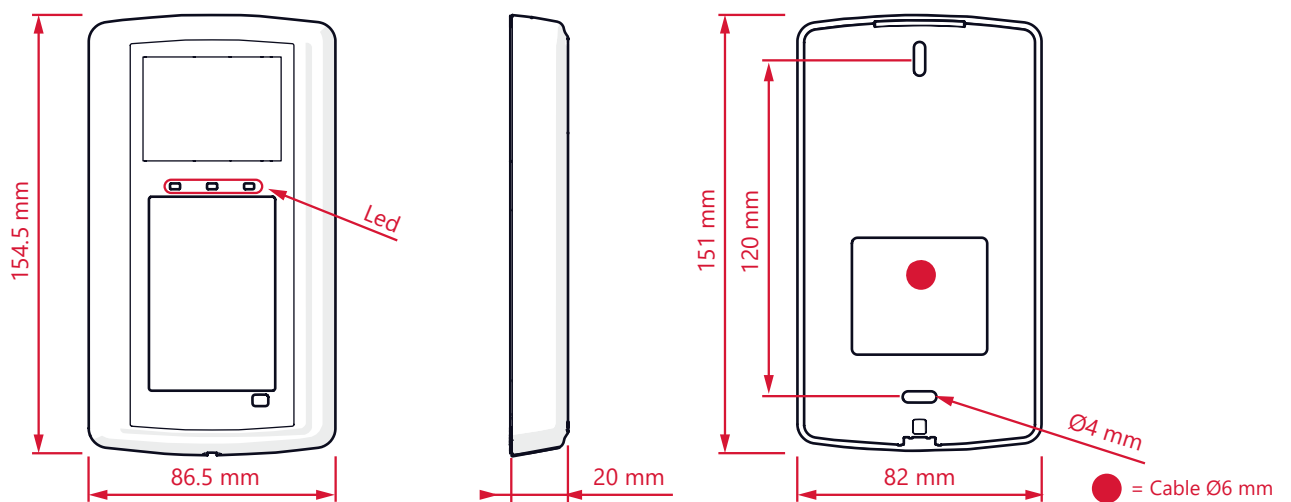


Power supply:  
10...30 VDC 70mA@24VDC

Connection:

|                  |               |
|------------------|---------------|
| 10...30 VDC..... | <b>Red</b>    |
| GND.....         | <b>Black</b>  |
| D-.....          | <b>Green</b>  |
| D+.....          | <b>White</b>  |
| TxD.....         | <b>Pink</b>   |
| RxD.....         | <b>Grey</b>   |
| DOWNLOAD.....    | <b>Brown</b>  |
| In 1.....        | <b>Yellow</b> |
| Out 1.....       | <b>Violet</b> |
| Out 2.....       | <b>Blue</b>   |

## D Pin



**!** Paste the sticker in place to finalize the installation.

Idesco Oy reserves the right to revise this publication and to make changes to its content as well as the right to change or discontinue these products, at any time, without obligation to notify any person or entity of such revisions or changes. All trademarks and registered trademarks are property of their respective owners. C00866