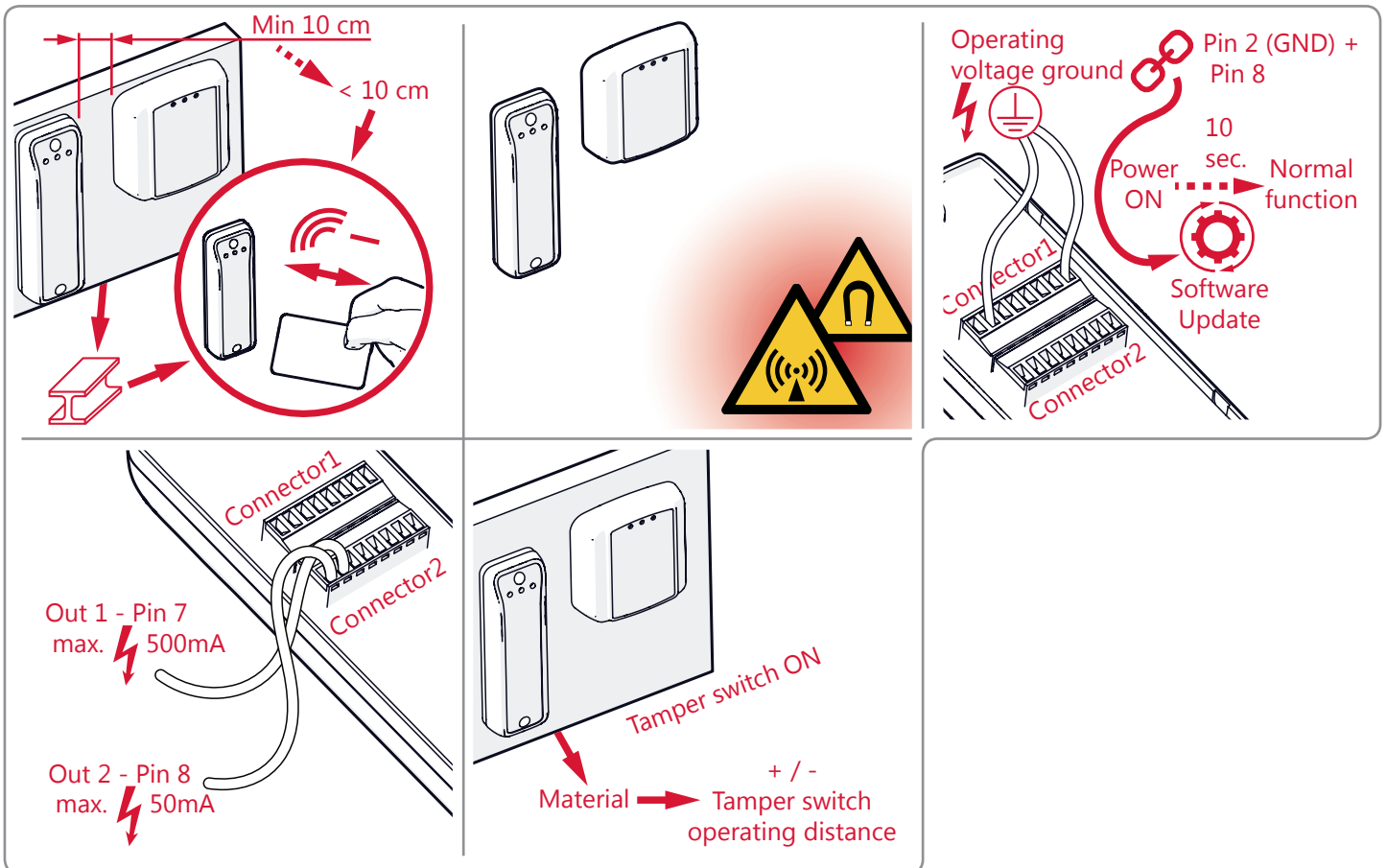
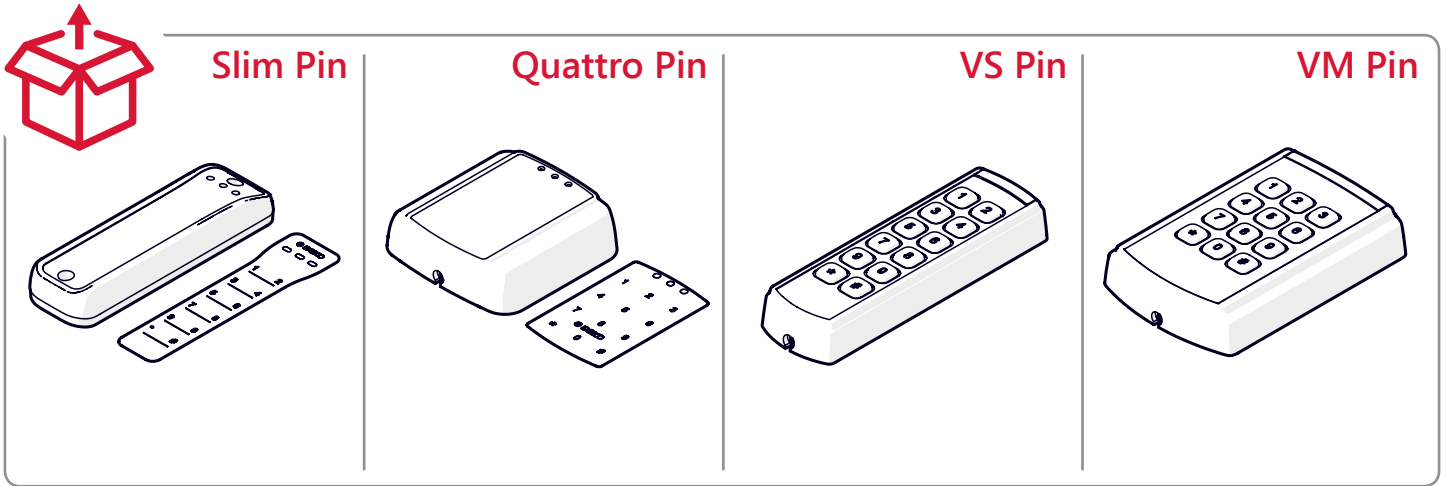


Installation Instructions - version 1.02

7C 2.0 / 8CD 2.0 / 7AH / 8CL 2.0 Pin C



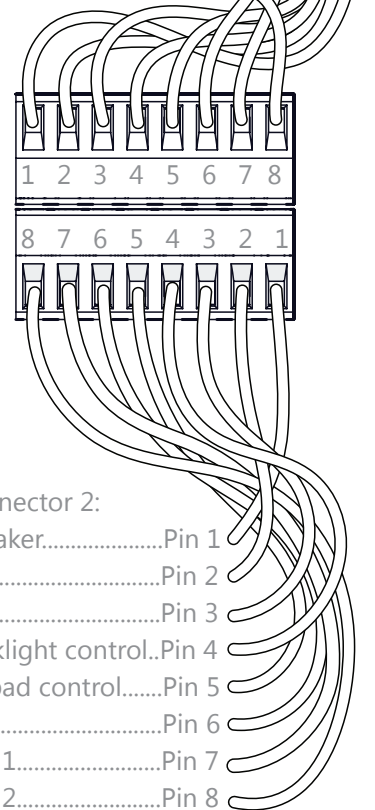
Idesco Oy vakuuttaa, että 7C 2.0 / 8CD 2.0 / 7AH / 8CL 2.0 Pin C -lukija on direktiivien 2014/30/EU (EMC), 2014/35/EU (Low voltage directive), 2011/65/EU (RoHS) ja 2014/53/EU (RED) oleellisten vaatimusten ja sitä koskevien direktiivien muiden ehtojen mukainen.

7C 2.0 / 8CD 2.0 / 7AH / 8CL 2.0 Pin C reader herewith complies with the requirements of the EMC Directive 2014/30/EU, the Low Voltage Directive 2014/35/EU, the RoHS Directive 2011/65/EU, the RED Directive 2014/53/EU and carries the CE marking accordingly.

Power supply:
10...30 VDC 150 mA

Connector 1:

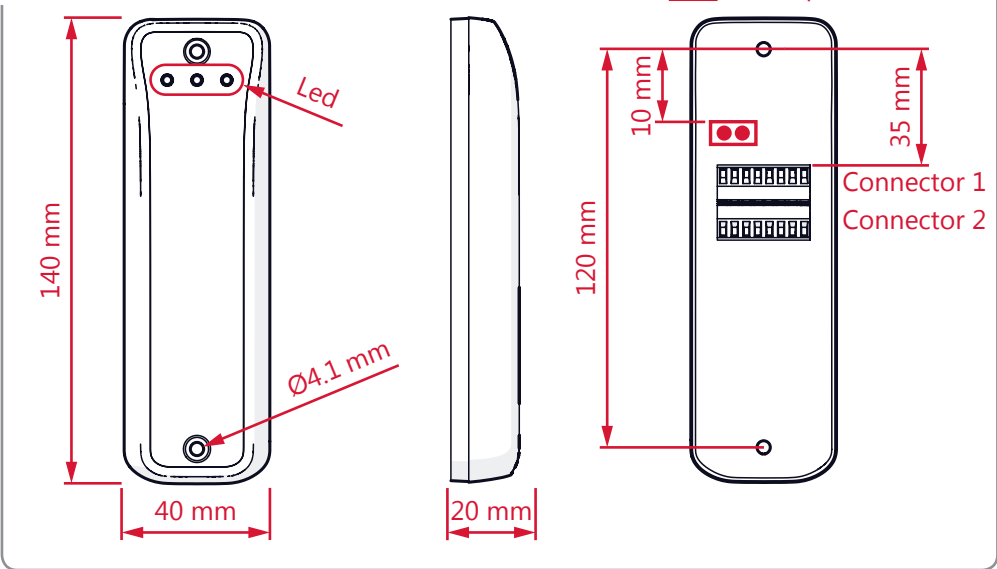
- 10...30 VDC.....Pin 1
- GND.....Pin 2
- WIE0 / (Data).....Pin 3
- WIE1 / (Clock).....Pin 4
- TxD.....Pin 5
- RxD.....Pin 6
- Green LED.....Pin 7
- Red LED / DWNL..Pin 8



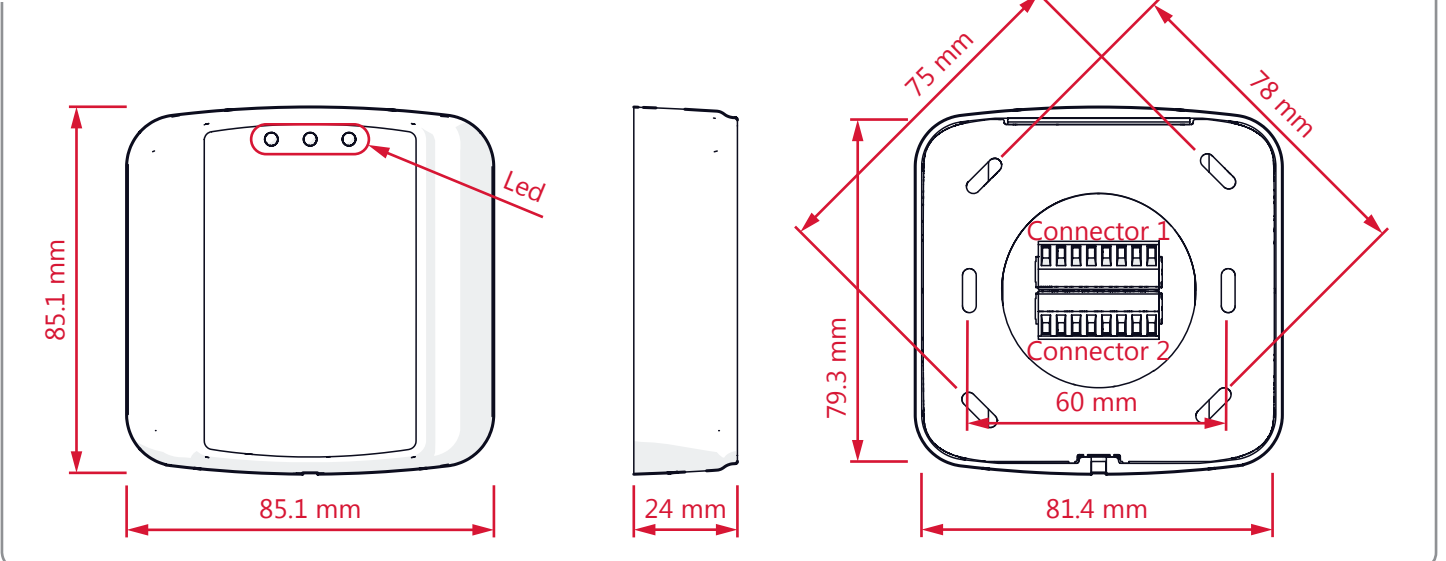
Connector 2:

- Speaker.....Pin 1
- NC.....Pin 2
- NC.....Pin 3
- Backlight control..Pin 4
- Pinpad control.....Pin 5
- In 1.....Pin 6
- Out 1.....Pin 7
- Out 2.....Pin 8

Slim Pin



Quattro Pin



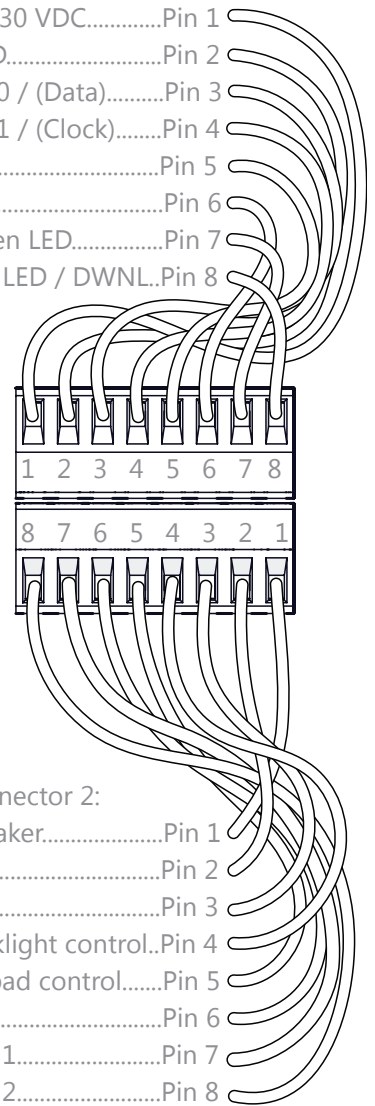
 Paste the sticker in place to finalize the installation.



Power supply:
10...30 VDC 150 mA

Connector 1:

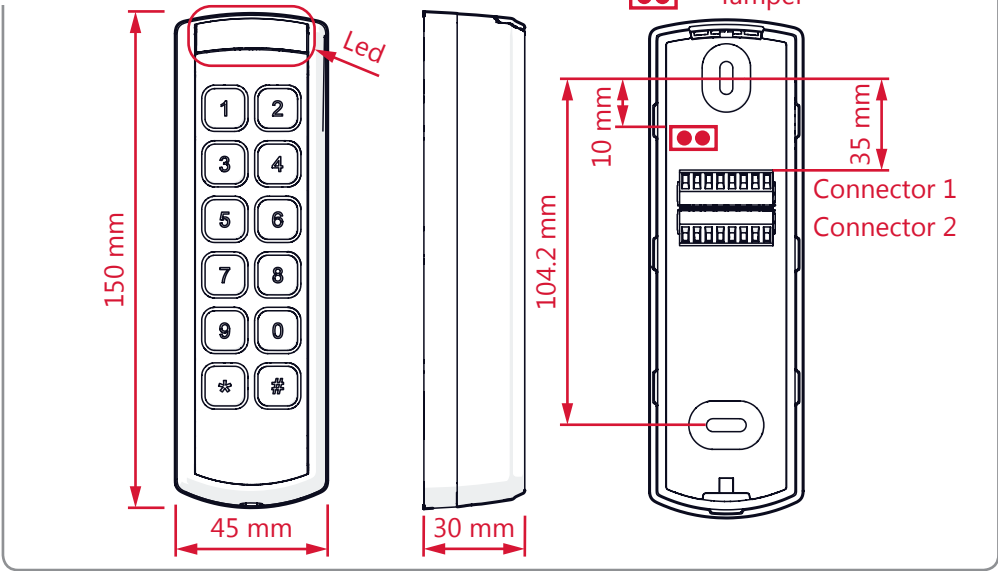
- 10...30 VDC.....Pin 1
- GND.....Pin 2
- WIE0 / (Data).....Pin 3
- WIE1 / (Clock).....Pin 4
- TxD.....Pin 5
- RxD.....Pin 6
- Green LED.....Pin 7
- Red LED / DWNL.....Pin 8



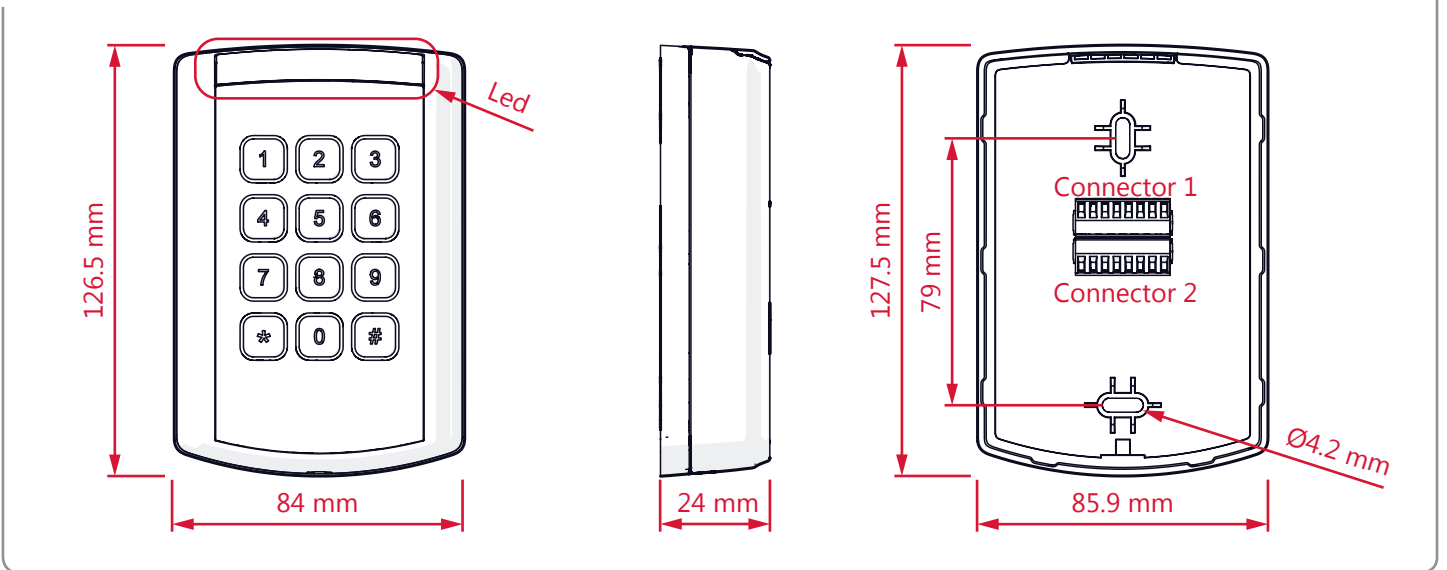
Connector 2:

- Speaker.....Pin 1
- NC.....Pin 2
- NC.....Pin 3
- Backlight control.....Pin 4
- Pinpad control.....Pin 5
- In 1.....Pin 6
- Out 1.....Pin 7
- Out 2.....Pin 8

VS Pin



VM Pin



Idesco Oy reserves the right to revise this publication and to make changes to its content as well as the right to change or discontinue these products, at any time, without obligation to notify any person or entity of such revisions or changes. All trademarks and registered trademarks are property of their respective owners. C00754E