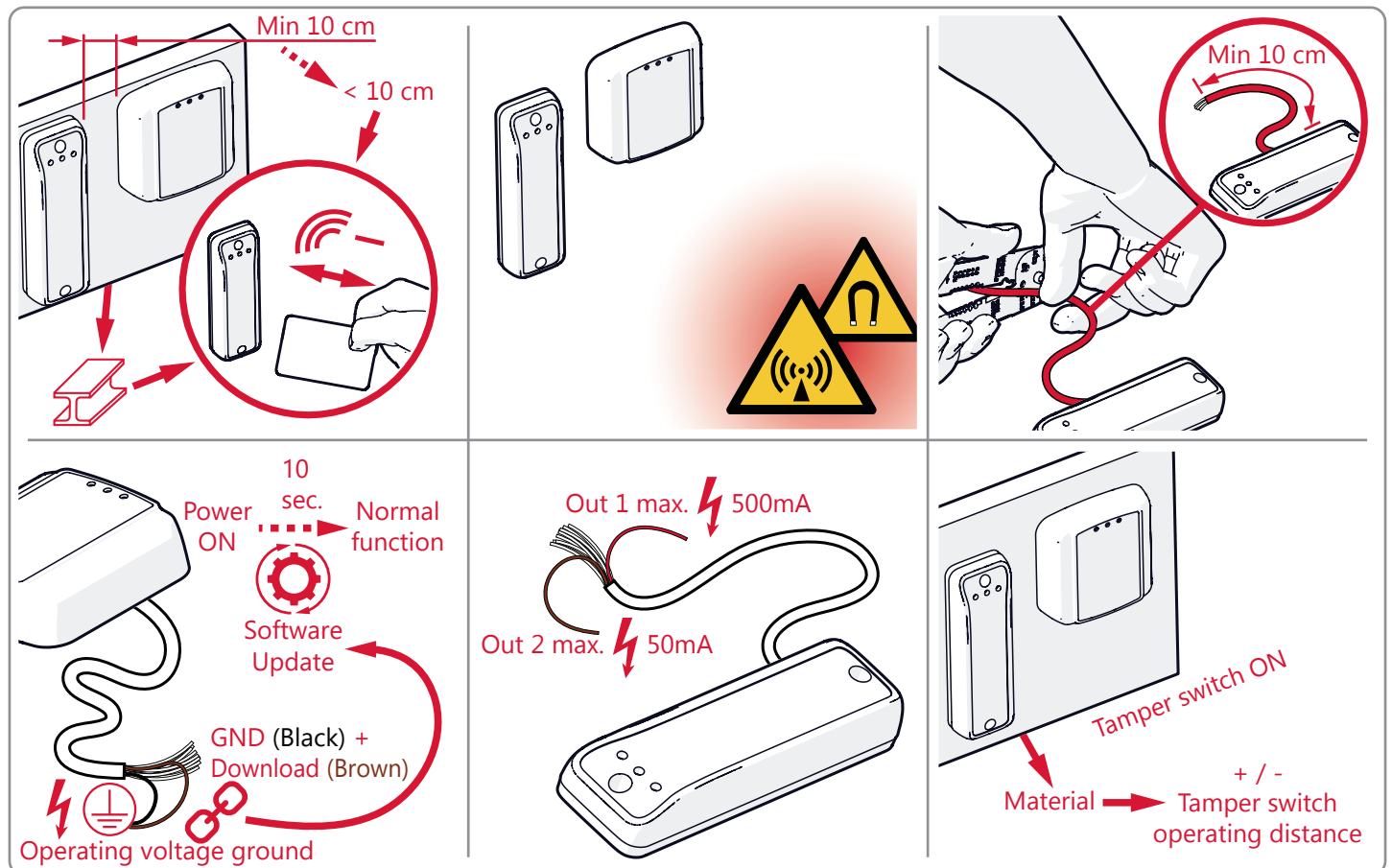
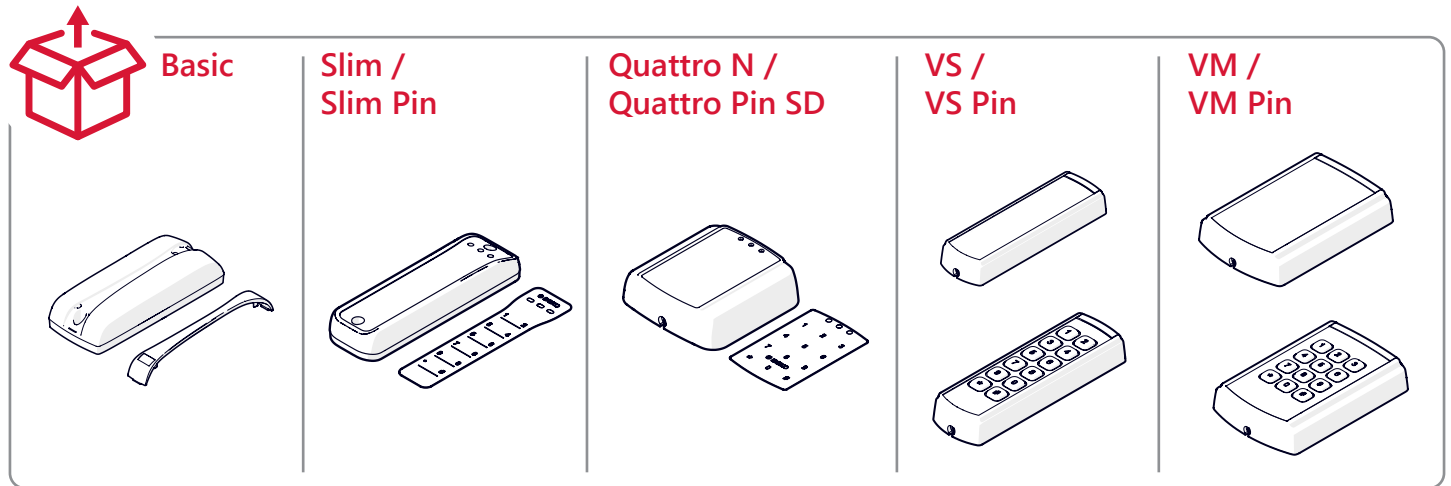


Installation Instructions - version 1.00

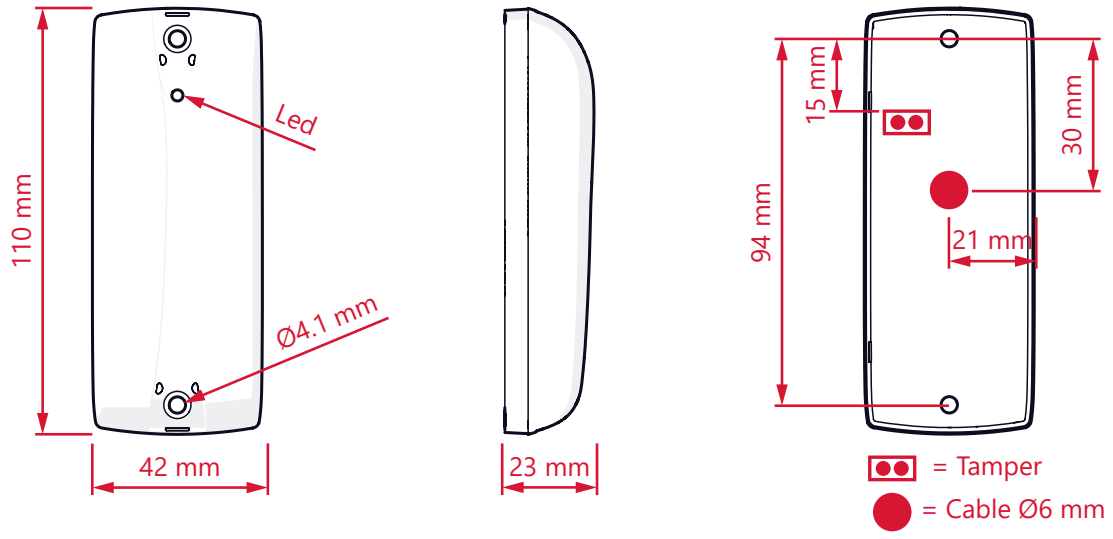
7C 2.0 / 8CD 2.0 / 7AH / 8CL 2.0 WIE / 232 / RS485 / AES / OSDPV2



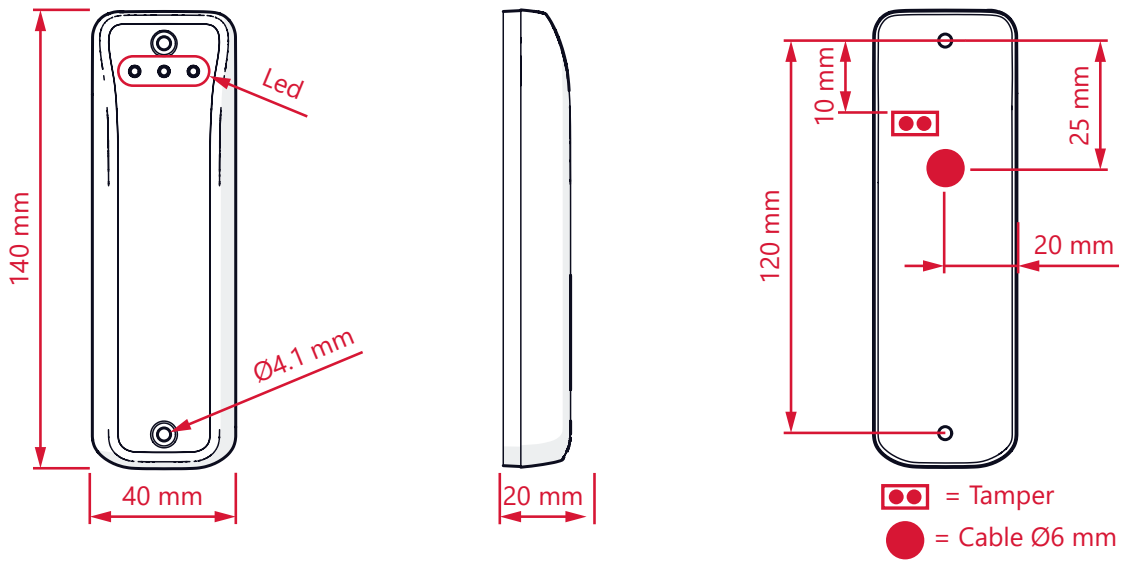
Idesco Oy vakuuttaa, että 7C 2.0 / 8CD 2.0 / 7AH / 8CL 2.0 WIE / 232 / RS485 / AES / OSDPV2 -lukija on direktiivien 2014/30/EU (EMC), 2014/35/EU (Low voltage directive), 2011/65/EU (RoHS) ja 2014/53/EU (RED) oleellisten vaatimusten ja sitä koskevien direktiivien muiden ehtojen mukainen.

7C 2.0 / 8CD 2.0 / 7AH / 8CL 2.0 WIE / 232 / RS485 / AES / OSDPV2 reader herewith complies with the requirements of the EMC Directive 2014/30/EU, the Low Voltage Directive 2014/35/EU, the RoHS Directive 2011/65/EU, the RED Directive 2014/53/EU and carries the CE marking accordingly.

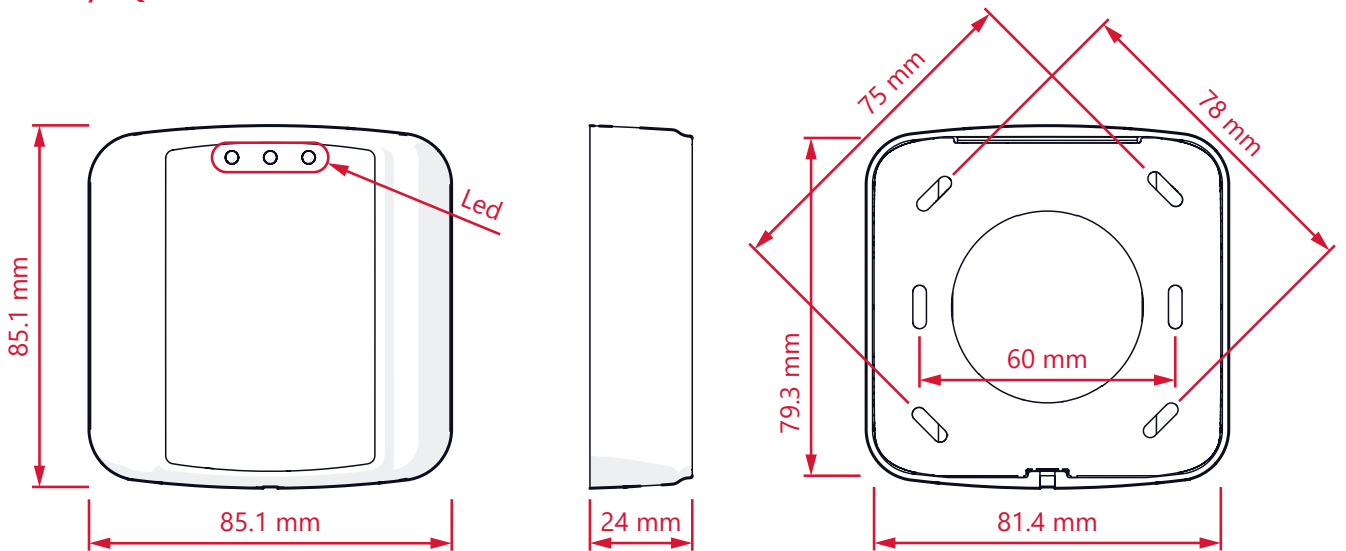
Basic



Slim / Slim Pin



Quattro N / Quattro Pin SD



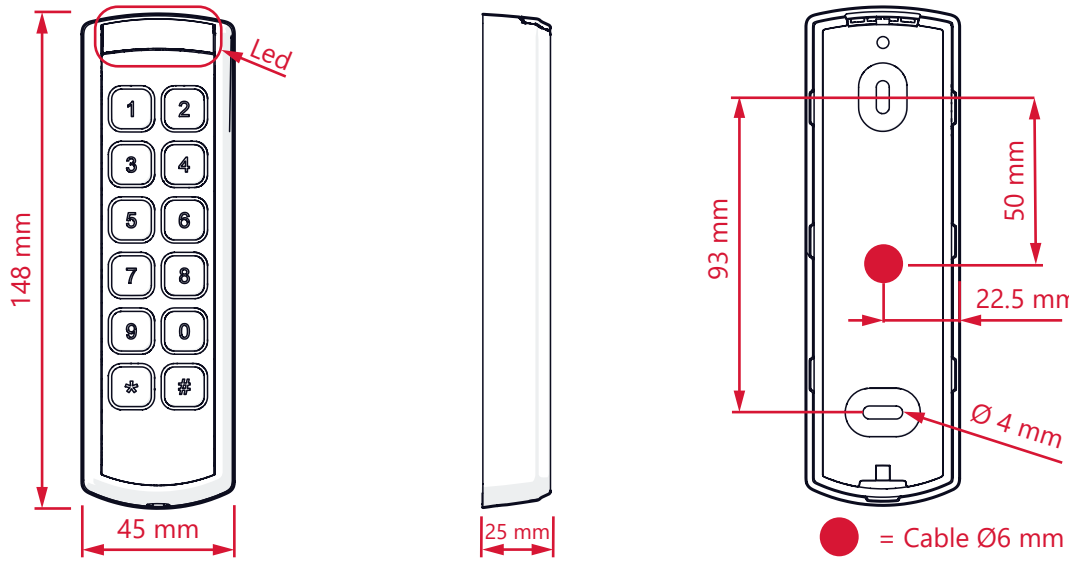
*) applicable only for readers with pin pad



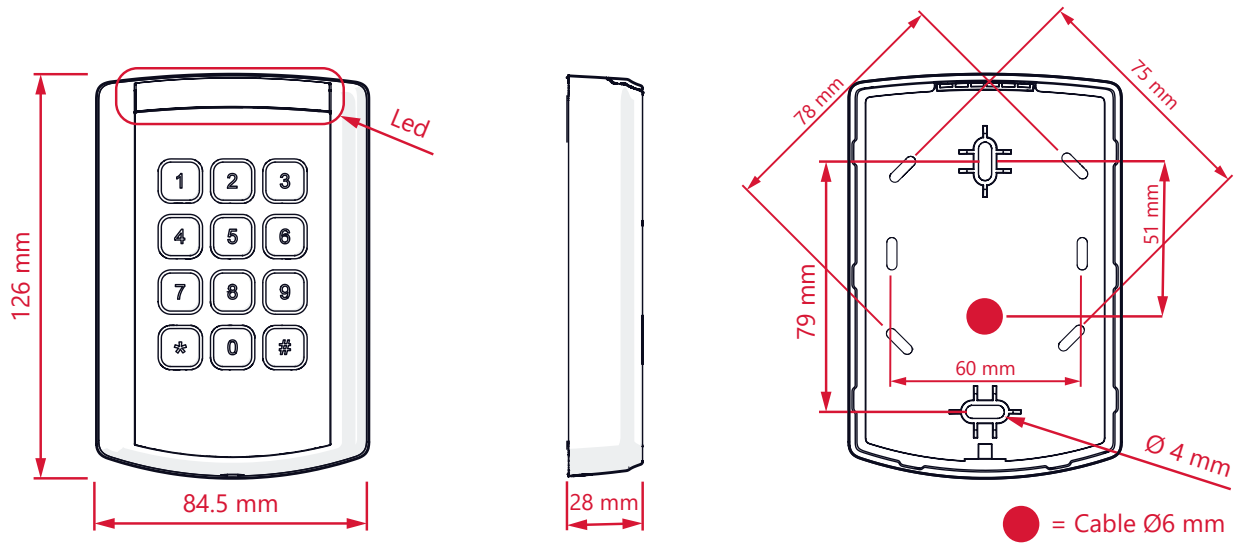
Click the lens or paste the sticker in place to finalize the installation.



VS / VS Pin



VM / VM Pin



*) applicable only for readers with pin pad



Paste the sticker in place to finalize the installation.



WIE / RS232

Power supply:
10...30 VDC 150 mA

Connection:

Vin.....	Red
GND.....	Black
WIE0 / (Data).....	Green
WIE1 / (Clock).....	White
RS232 TxD.....	Pink
RS232 RxD.....	Grey
Green LED.....	Blue
Red LED / Download.....	Brown
Buzzer.....	Yellow
Backlight control.....	Violet
Pinpad control.....	Grey + Pink
In.....	White + Green
Out 1.....	Red + Blue
Out 2.....	Brown + Green

RS485 / AES / OSDPV2

Power supply:
10...30 VDC 150 mA

Connection:

Vin.....	Red
GND.....	Black
RS232 TxD.....	Pink
RS232 RxD.....	Grey
Download.....	Brown
RS485 Data+.....	White + Yellow
RS485 Data-.....	Yellow + Brown
In.....	White + Green
Out 1.....	Red + Blue
Out 2.....	Brown + Green