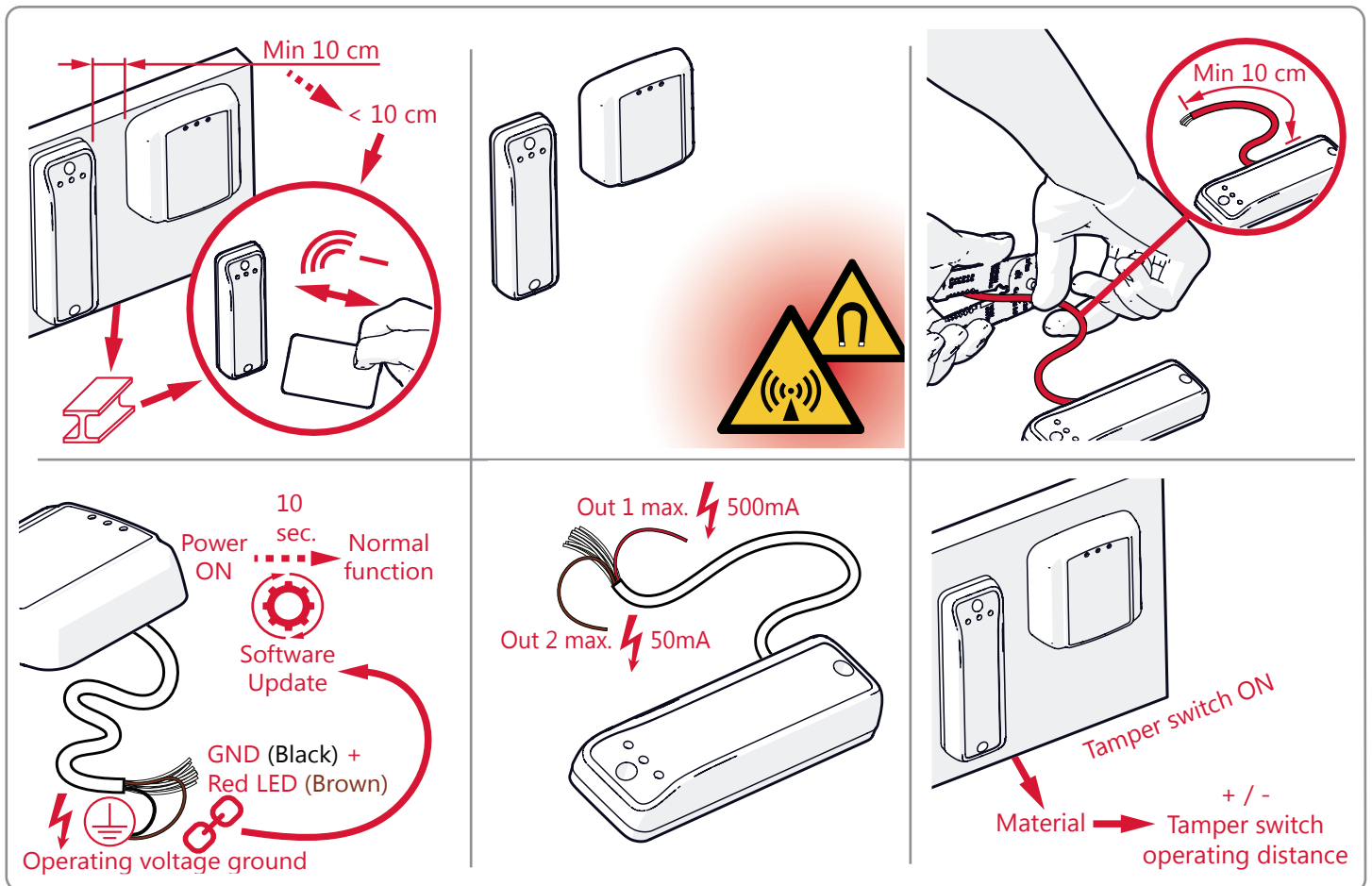
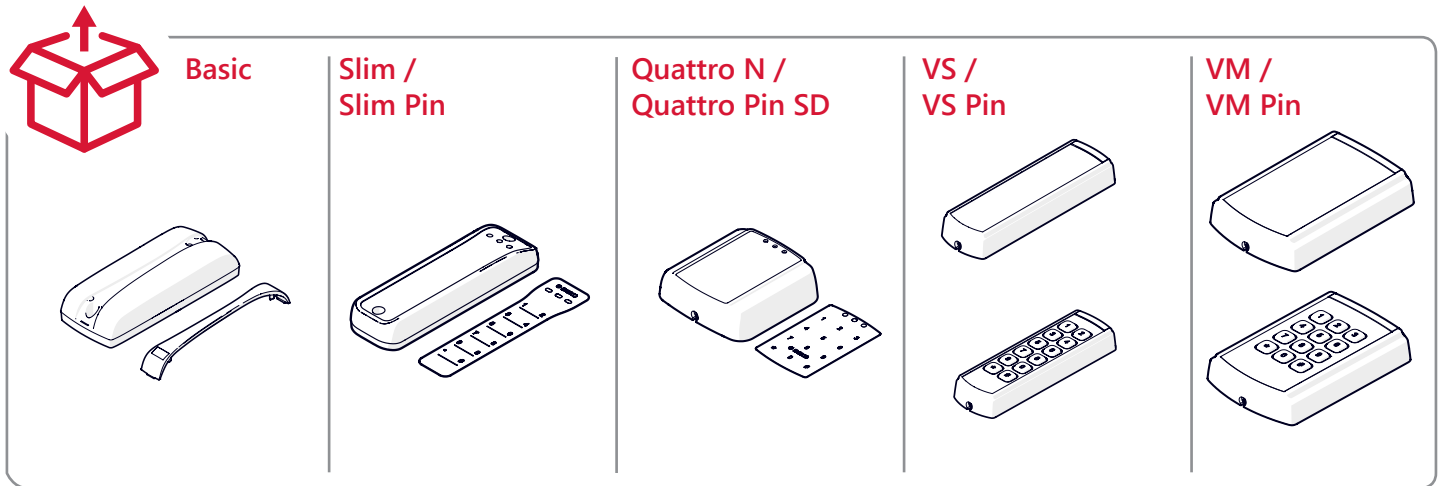


## Installation Instructions - version 1.03

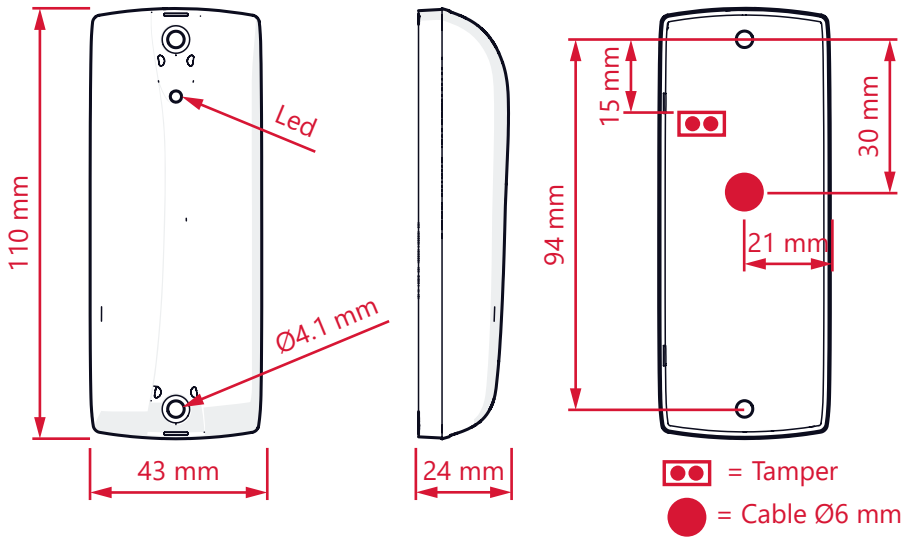
7C 2.0 / 8CD 2.0 / 7AH / 8CL 2.0



Idesco Oy vakuuttaa, että 7C 2.0 / 8CD 2.0 / 7AH / 8CL 2.0 -lukija on direktiivien 2014/30/EU (EMC), 2014/35/EU (Low voltage directive), 2011/65/EU (RoHS) ja 2014/53/EU (RED) oleellisten vaatimusten ja sitä koskevien direktiivien muiden ehtojen mukainen.

7C 2.0 / 8CD 2.0 / 7AH / 8CL 2.0 reader herewith complies with the requirements of the EMC Directive 2014/30/EU, the Low Voltage Directive 2014/35/EU, the RoHS Directive 2011/65/EU, the RED Directive 2014/53/EU and carries the CE marking accordingly.

## Basic

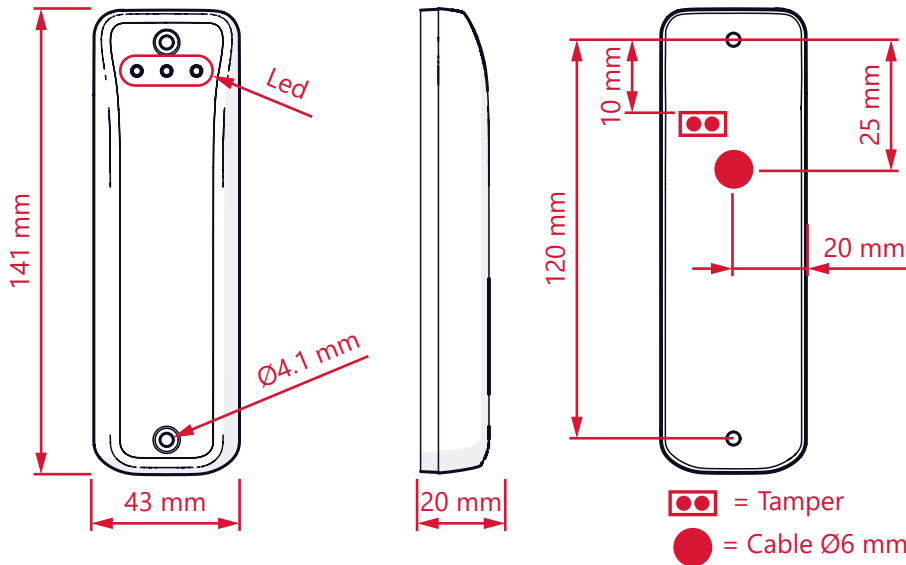


Power supply:  
10...30 VDC 150 mA

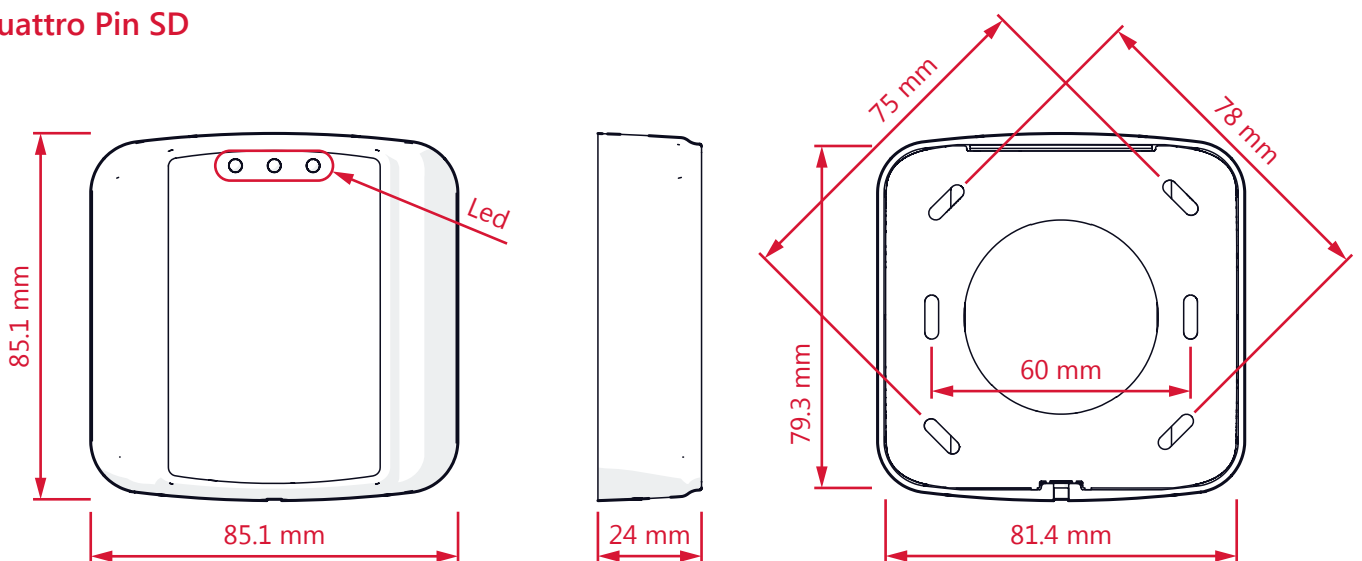
Connection:

10...30 VDC.....		Red
GND.....		Black
WIE0 / (Data).....		Green
WIE1 / (Clock).....		White
TxD.....		Pink
RxD.....		Grey
Green LED.....		Blue
Red LED / DWNL.....		Brown
Buzzer.....		Yellow
Backlight ctrl*.....		Violet
Pinpad ctrl*.....	/	Grey / Pink
In 1.....	/	White / Green
Out 1.....	/	Red / Blue
Out 2.....	/	Brown / Green

## Slim / Slim Pin



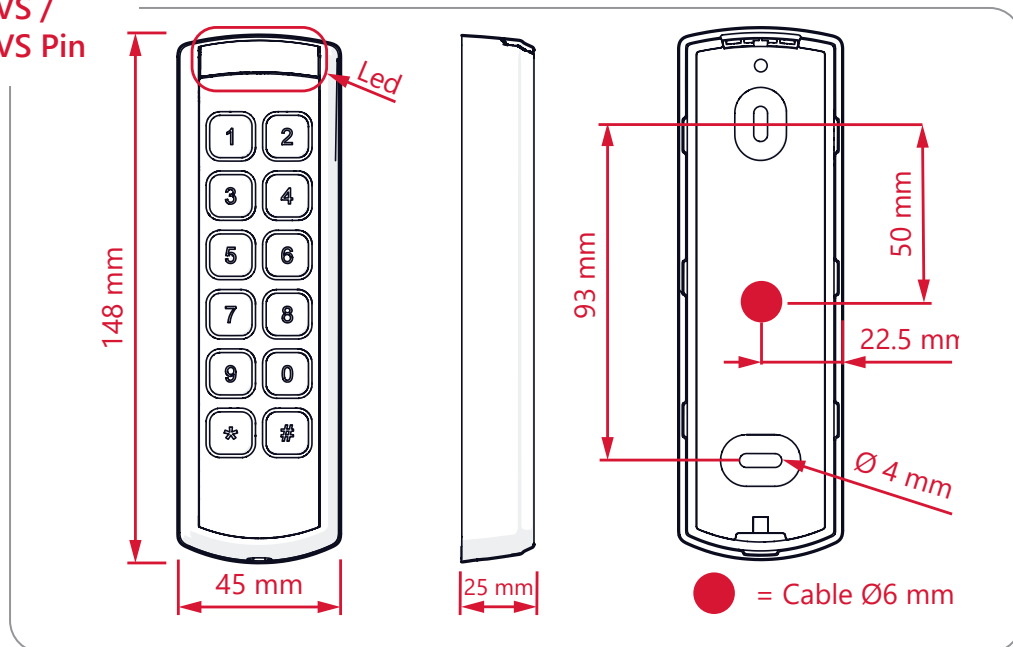
## Quattro N / Quattro Pin SD



Paste the sticker in place to finalize the installation.

\*) applicable only for readers with pin pad

**VS / VS Pin**

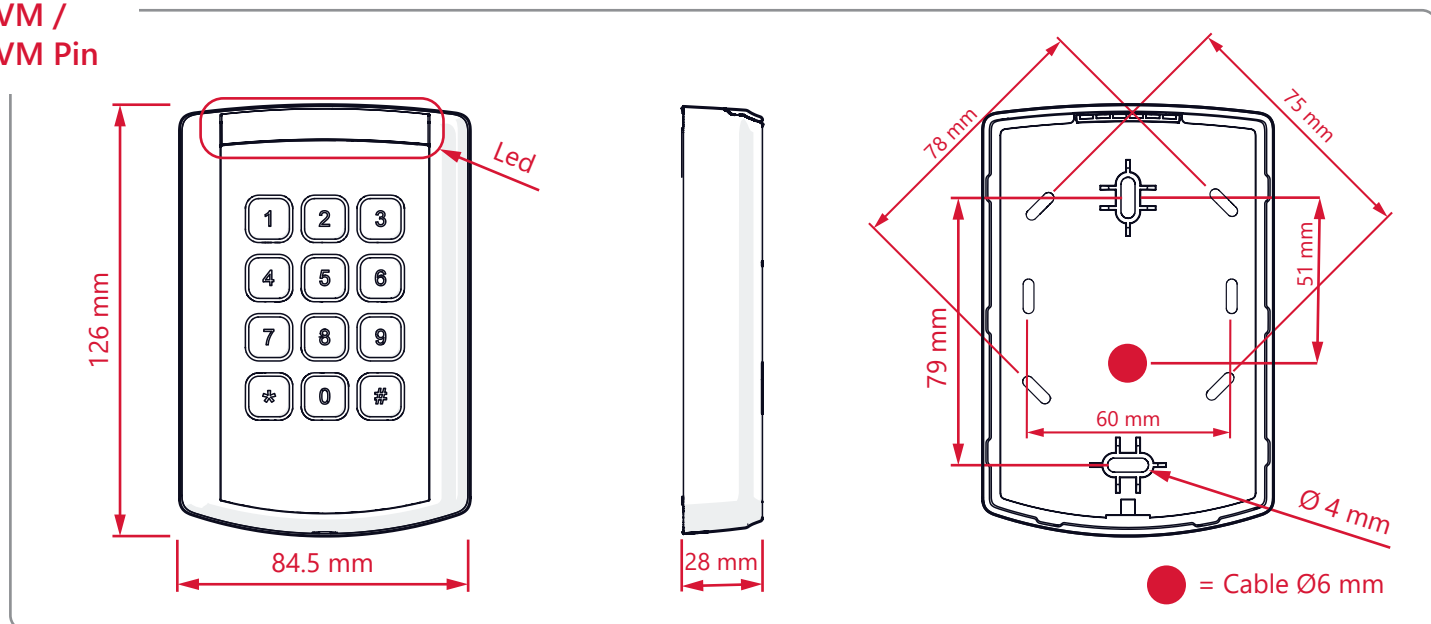


Power supply:  
10...30 VDC 150 mA

Connection:

10...30 VDC.....	Red
GND.....	Black
WIE0 / (Data).....	Green
WIE1 / (Clock).....	White
TxD.....	Pink
RxD.....	Grey
Green LED.....	Blue
Red LED / DWNL.....	Brown
Buzzer.....	Yellow
Backlight ctrl*.....	Violet
Pinpad ctrl*.....	Grey / Pink
In 1.....	White / Green
Out 1.....	Red / Blue
Out 2.....	Brown / Green

**VM / VM Pin**



\*) applicable only for readers with pin pad