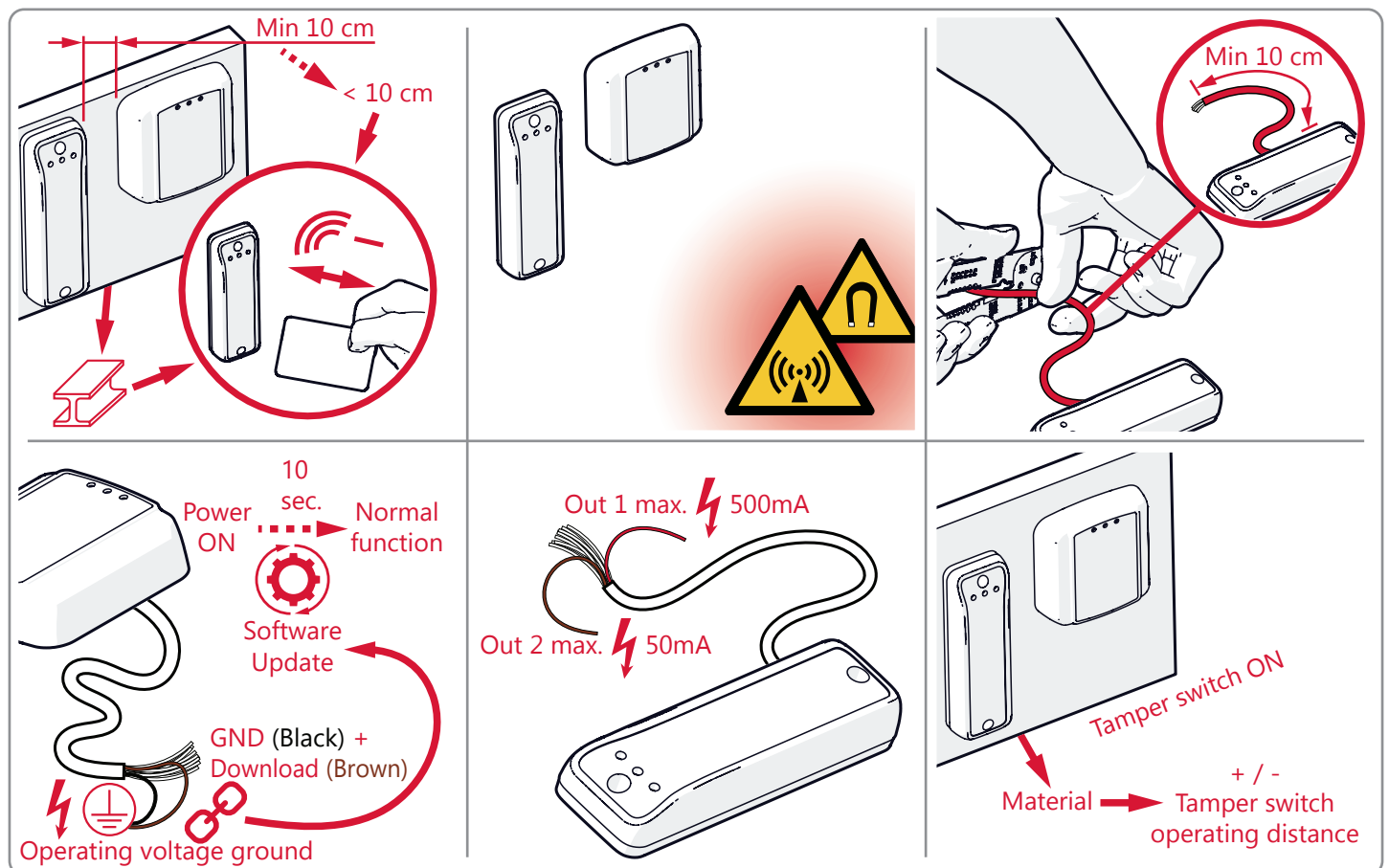
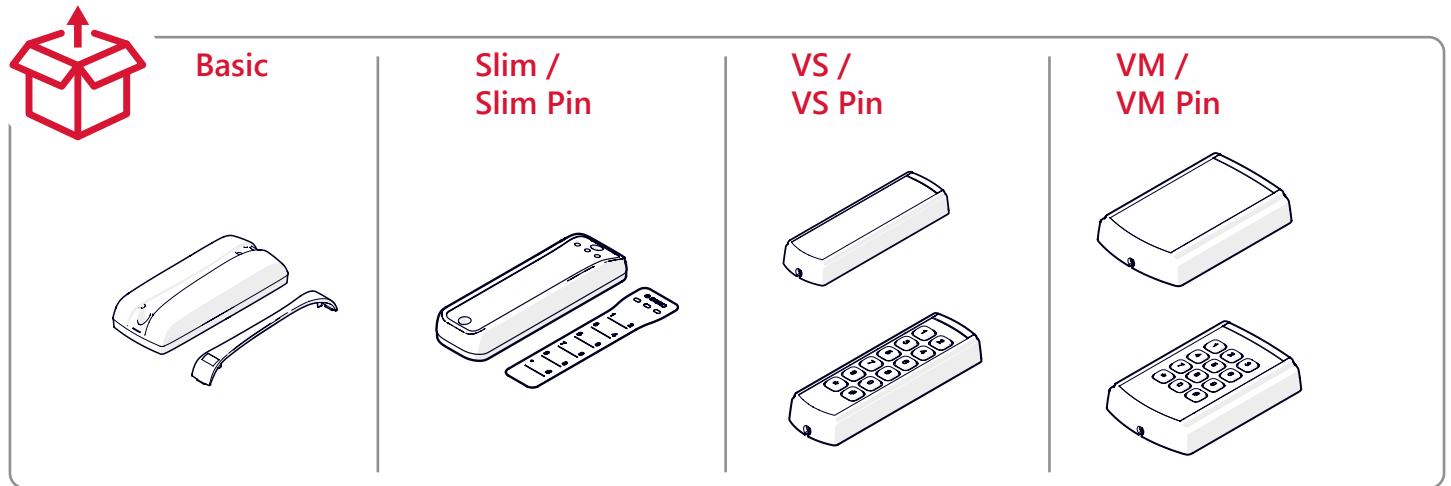


## Installation Instructions - version 1.01

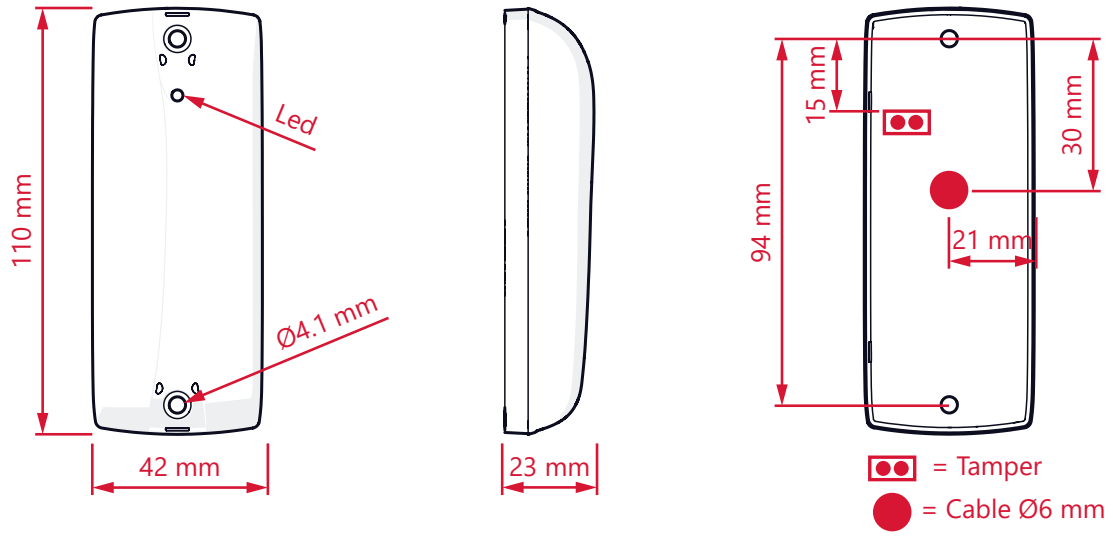
7C 2.0 / 8CD 2.0 WIE / 232 / RS485 / AES / OSDPV2 Readers with 16 wire cable



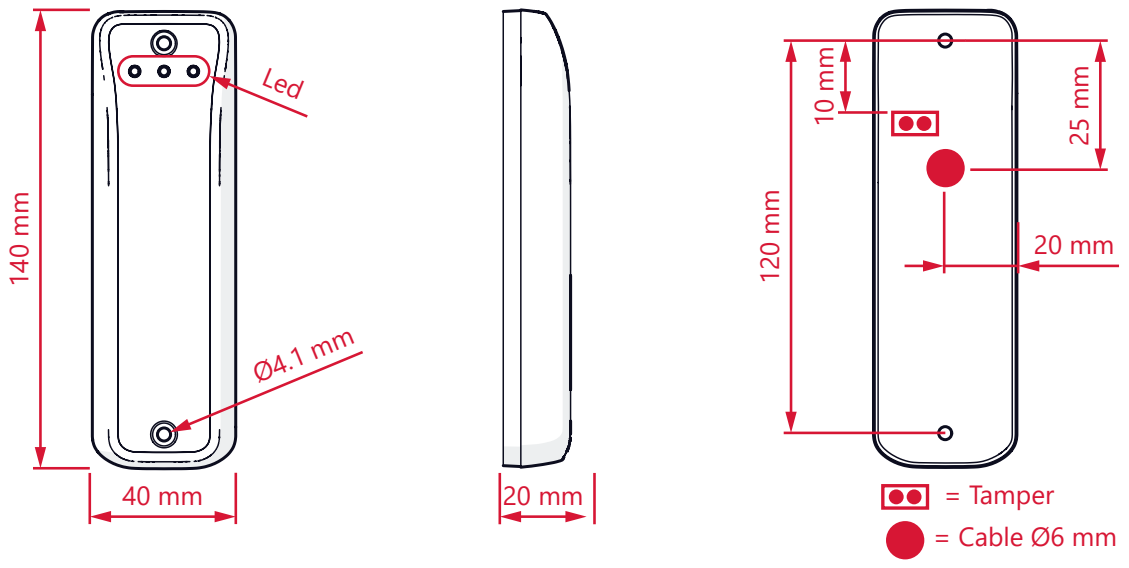
Idesco Oy vakuuttaa, että 7C 2.0 / 8CD 2.0 WIE / 232 / RS485 / AES / OSDPV2 -lukija on direktiivien 2014/30/EU (EMC), 2014/35/EU (Low voltage directive), 2011/65/EU (RoHS) ja 2014/53/EU (RED) oleellisten vaatimusten ja sitä koskevien direktiivien muiden ehtojen mukainen.

7C 2.0 / 8CD 2.0 WIE / 232 / RS485 / AES / OSDPV2 reader herewith complies with the requirements of the EMC Directive 2014/30/EU, the Low Voltage Directive 2014/35/EU, the RoHS Directive 2011/65/EU, the RED Directive 2014/53/EU and carries the CE marking accordingly.

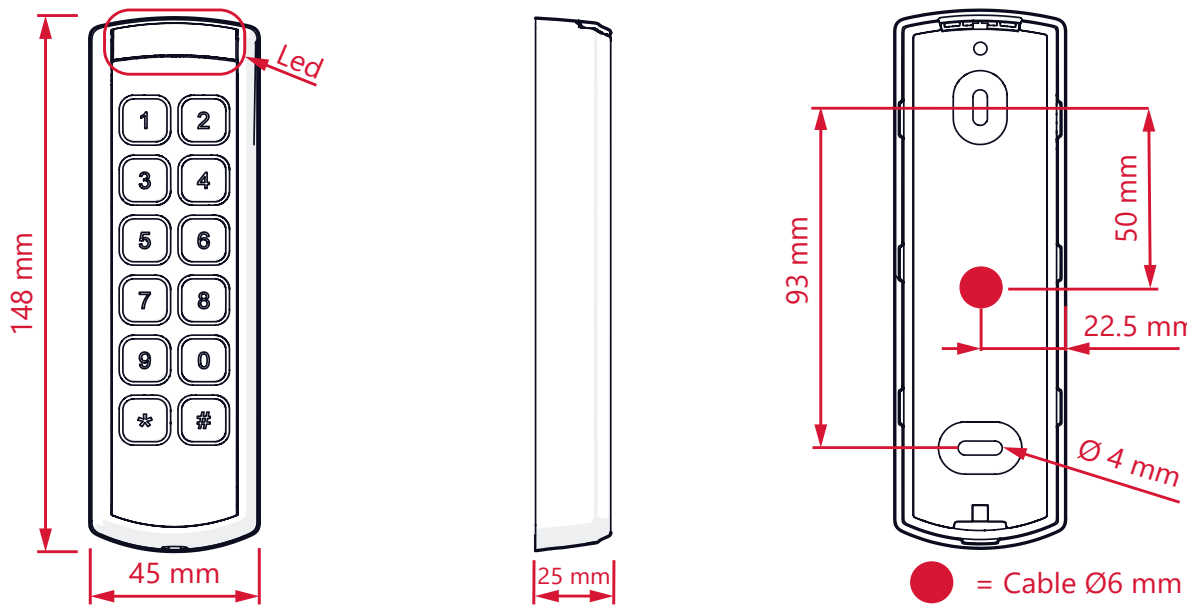
### Basic



### Slim / Slim Pin



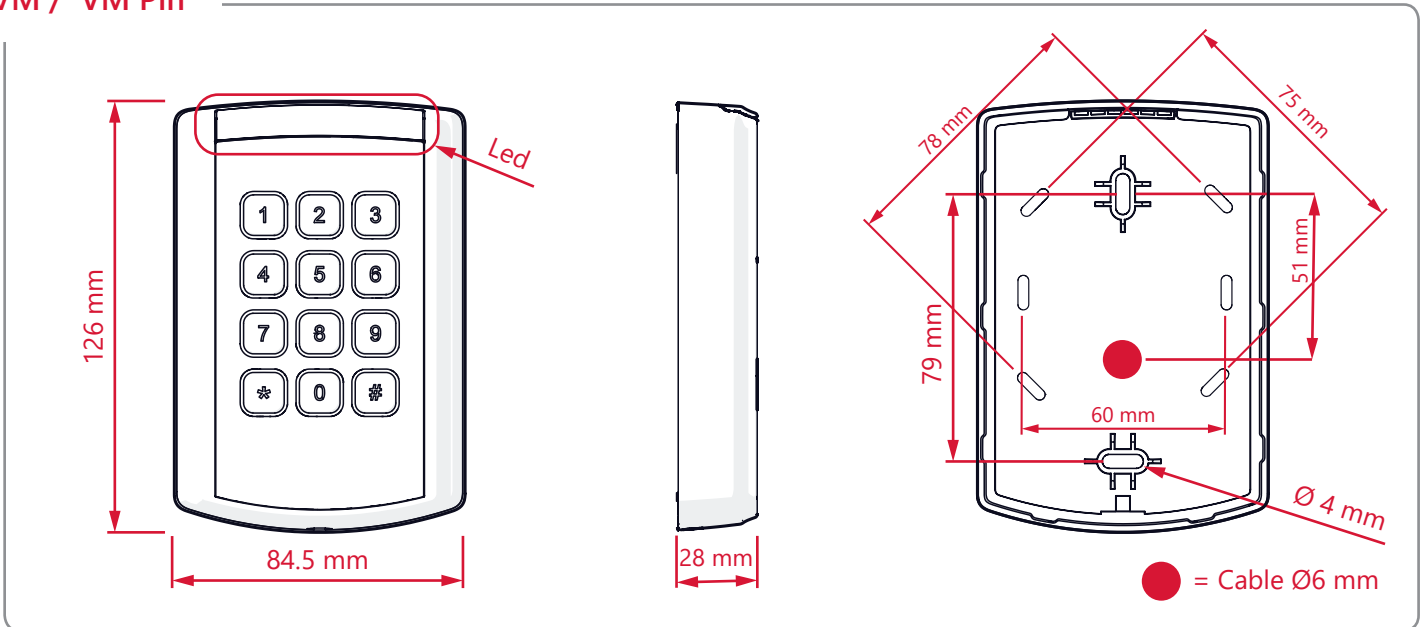
### VS / VS Pin



! Click the lens or paste the sticker in place to finalize the installation.



## VM / VM Pin



! Paste the sticker in place to finalize the installation.

### WIE / RS232

Power supply:  
10...30 VDC 150 mA

Connection:

Vin.....	Red
GND.....	Black
WIE0 / (Data).....	Green
WIE1 / (Clock).....	White
RS232 TxD.....	Pink
RS232 RxD.....	Grey
Green LED.....	Blue
Red LED / Download.....	Brown
Buzzer.....	Yellow
Backlight control*.....	Violet
Pinpad control*.....	Grey + Pink
In.....	White + Green
Out 1.....	Red + Blue
Out 2.....	Brown + Green

\*) applicable only for readers with pin pad

### RS485 / AES / OSDPV2

Power supply:  
10...30 VDC 150 mA

Connection:

Vin.....	Red
GND.....	Black
RS232 TxD.....	Pink
RS232 RxD.....	Grey
Download.....	Brown
RS485 Data+.....	White + Yellow
RS485 Data-.....	Yellow + Brown
In.....	White + Green
Out 1.....	Red + Blue
Out 2.....	Brown + Green