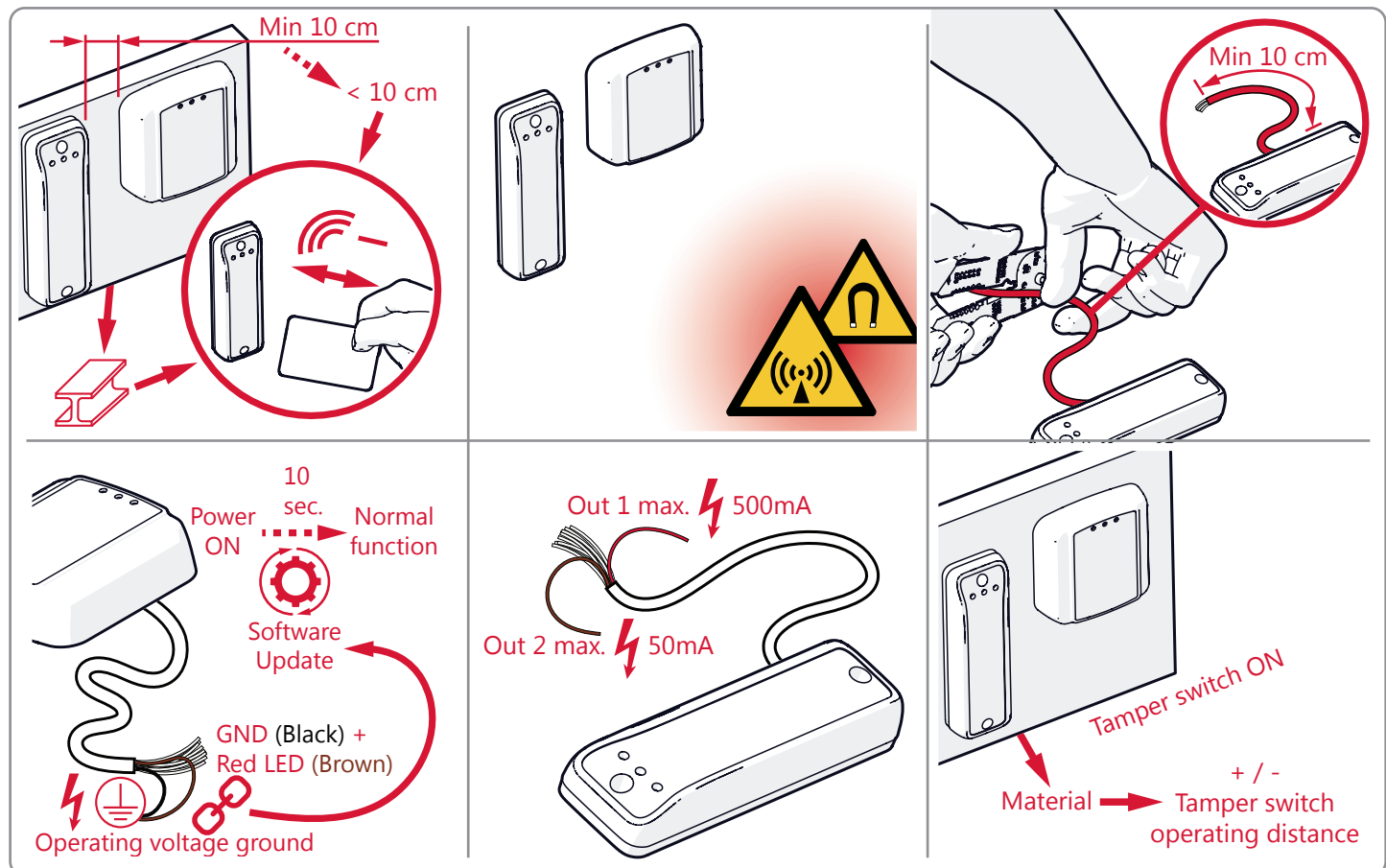
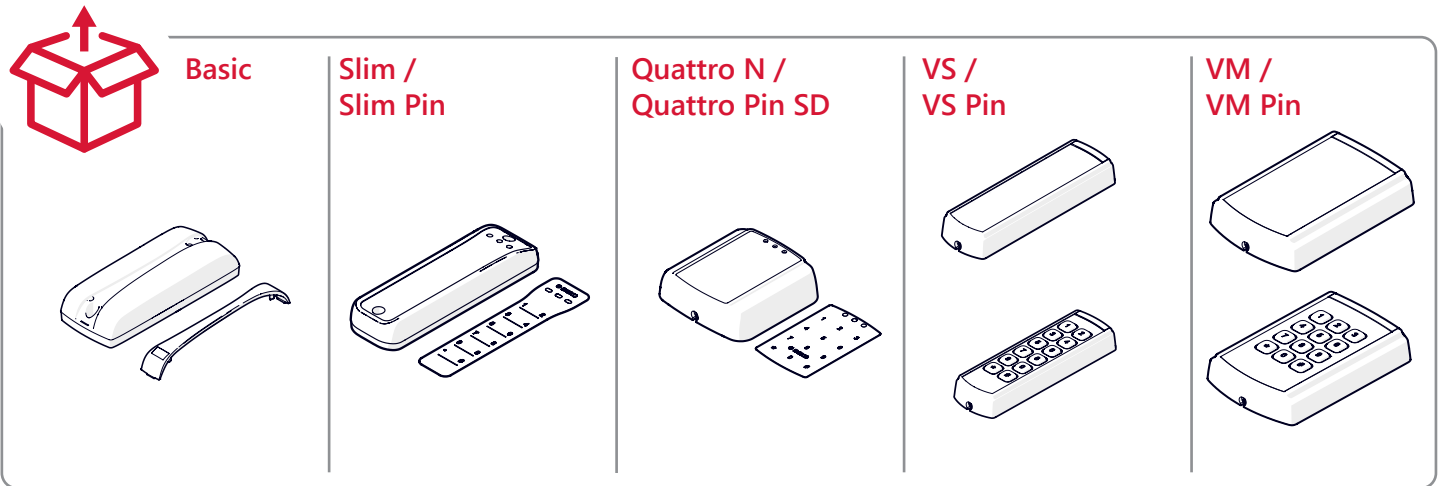


Installation Instructions - version 1.07

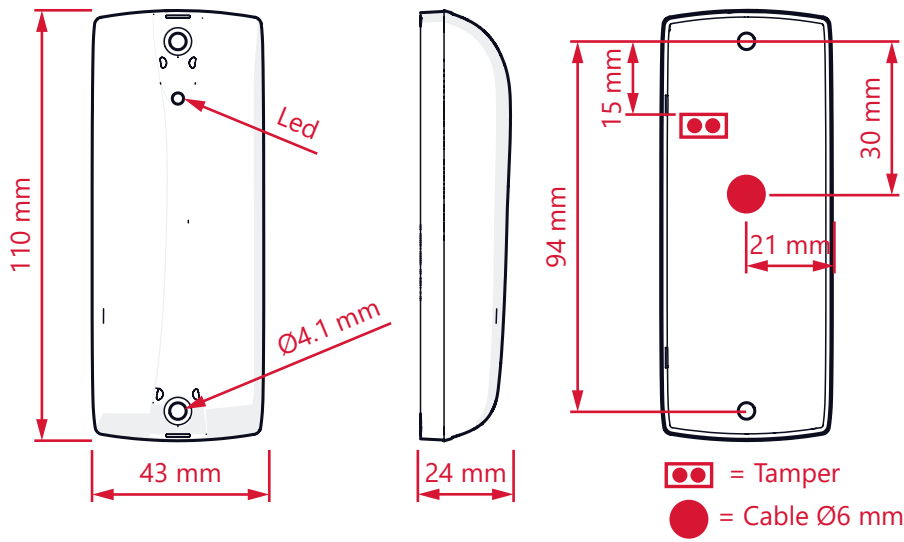
7C 2.0 & 8CD 2.0 / RS485 / AES / OSDP / OSDPV2



Idesco Oy vakuuttaa, että 7C 2.0 & 8CD 2.0 RS485 / AES / OSDP / OSDPV2 -lukija on direktiivien 2014/30/EU (EMC), 2014/35/EU (Low voltage directive), 2011/65/EU (RoHS) ja 2014/53/EU (RED) oleellisten vaatimusten ja sitä koskevien direktiivien muiden ehtojen mukainen.

7C 2.0 & 8CD 2.0 RS485 / AES / OSDP / OSDPV2 reader herewith complies with the requirements of the EMC Directive 2014/30/EU, the Low Voltage Directive 2014/35/EU, the RoHS Directive 2011/65/EU, the RED Directive 2014/53/EU and carries the CE marking accordingly.

Basic

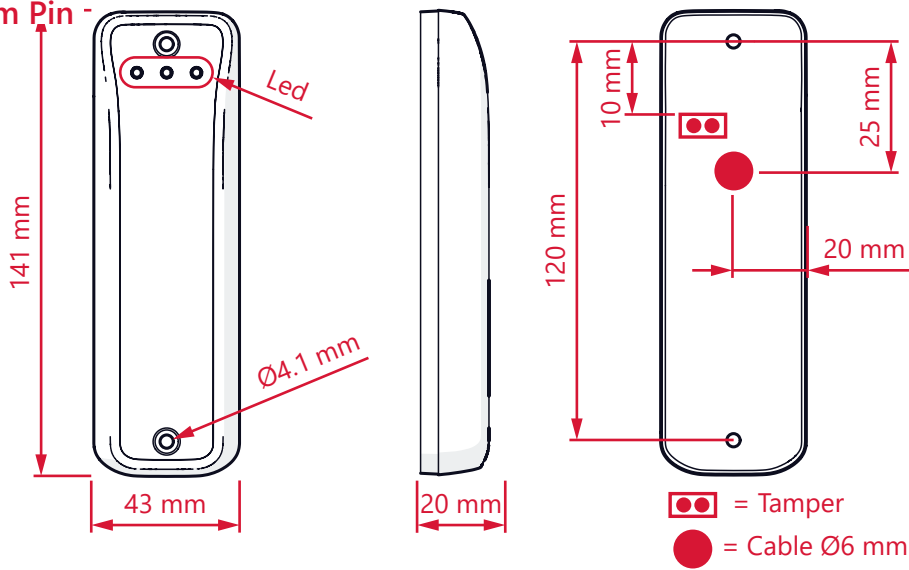


Power supply:
10...30 VDC 150 mA

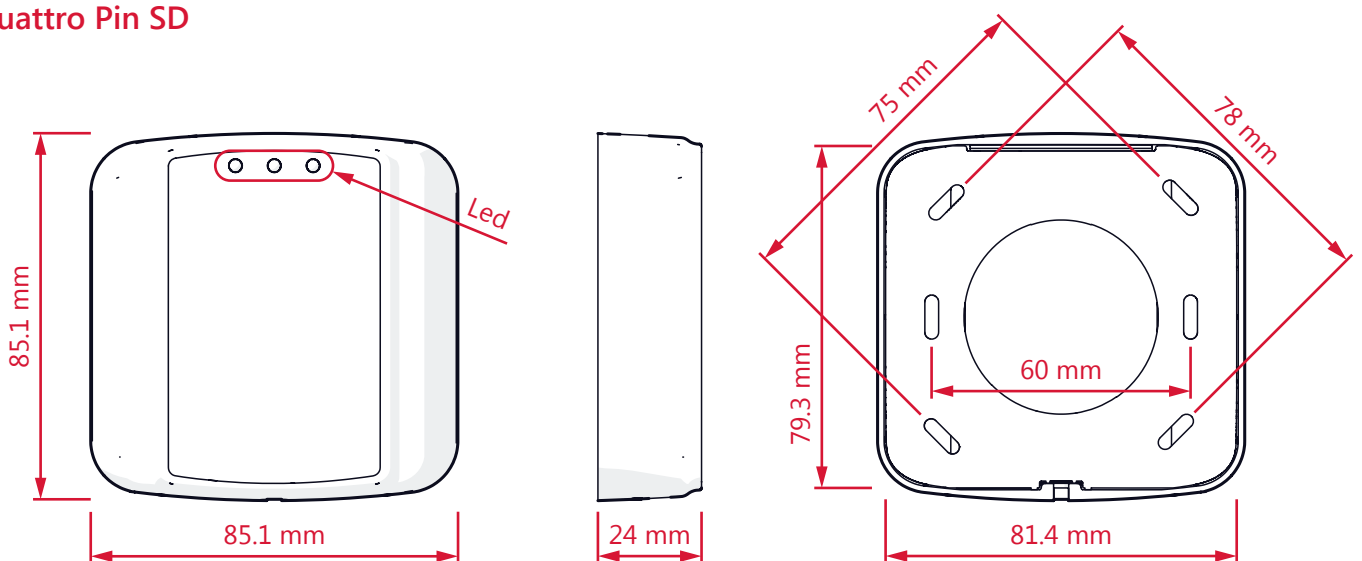
Connection:

10...30 VDC.....		Red
GND.....		Black
Data -.....		Green
Data +.....		White
TxD.....		Pink
RxD.....		Grey
Download.....		Brown
In 1.....		Yellow
Out 1.....		Violet
Out 2.....		Blue

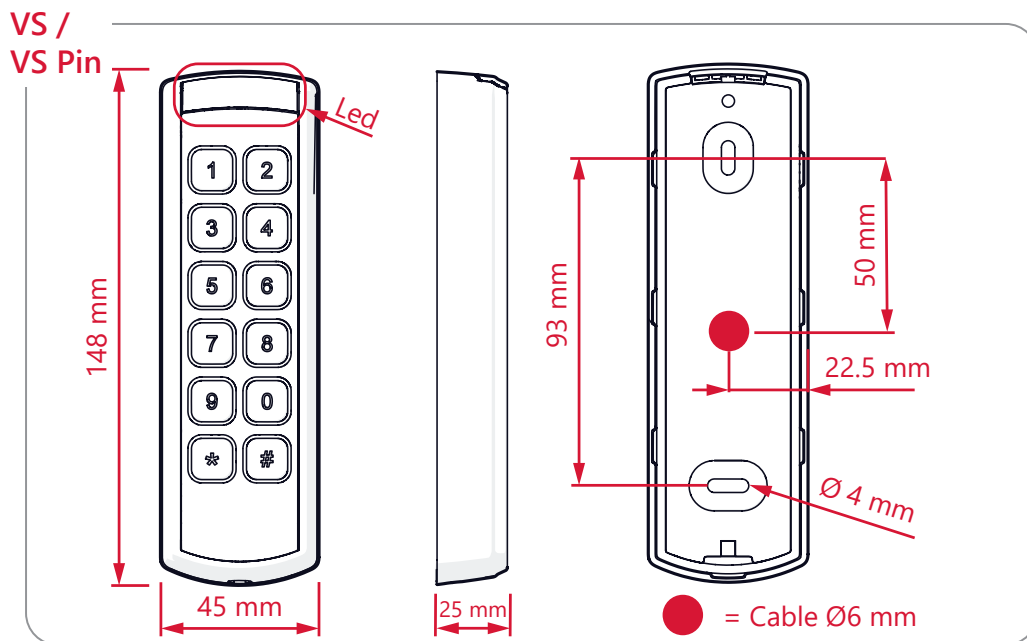
Slim / Slim Pin -



Quattro N / Quattro Pin SD



Paste the sticker in place to finalize the installation.



Power supply:
10...30 VDC 150 mA

Connection:

10...30 VDC.....	Red
GND.....	Black
Data -.....	Green
Data +.....	White
TxD.....	Pink
RxD.....	Grey
Download.....	Brown
In 1.....	Yellow
Out 1.....	Violet
Out 2.....	Blue

