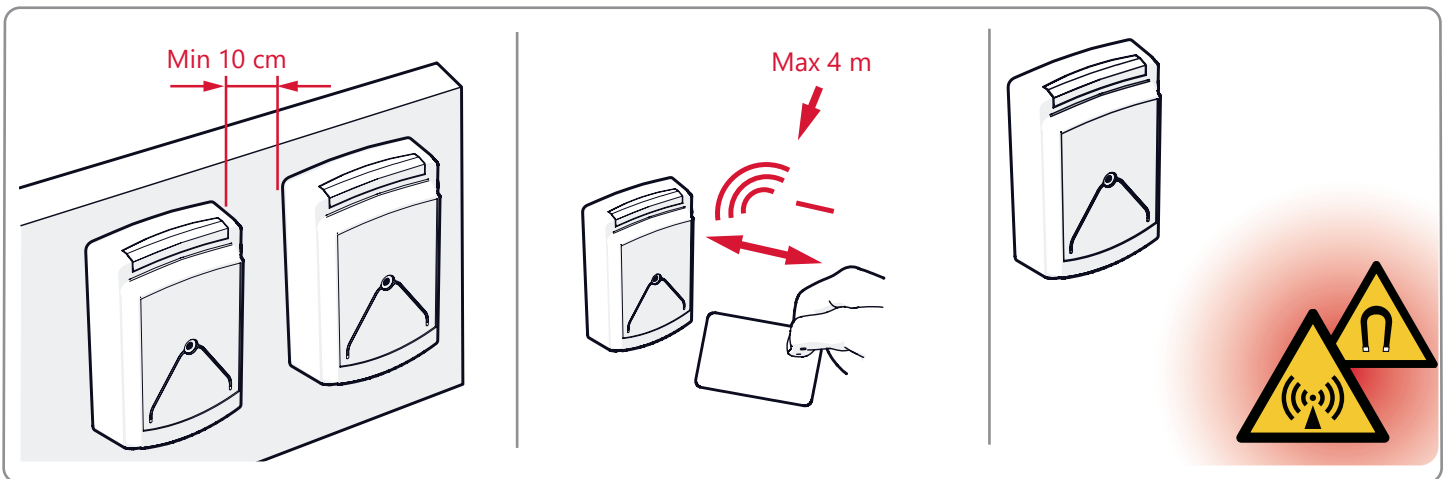
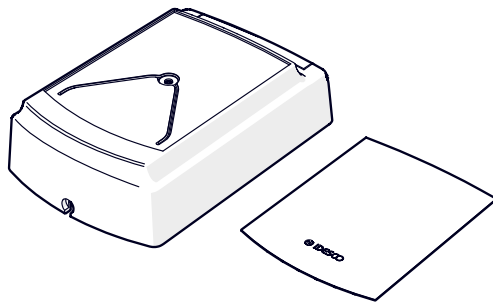


## Installation Instructions - version 1.00

### EPC 2.0 Compact



EPC 2.0 Compact

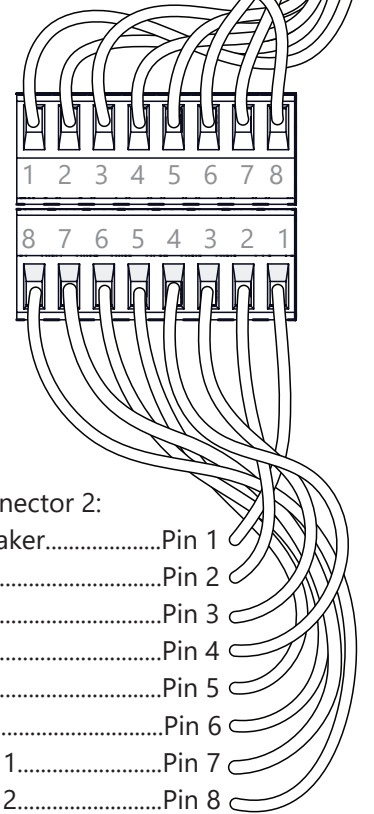
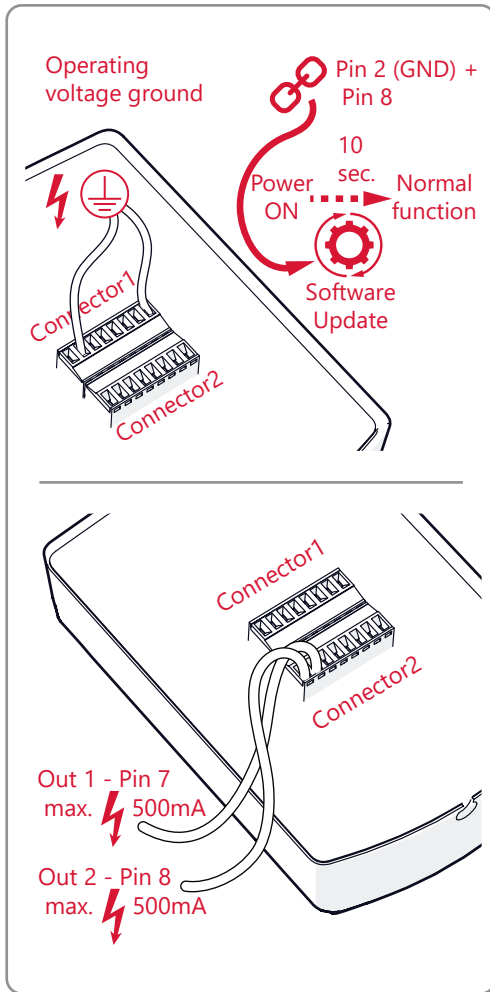


Idesco Oy vakuuttaa, että EPC 2.0 Compact -lukija on direktiivien 2014/30/EU (EMC), 2014/35/EU (Low voltage directive), 2011/65/EU (RoHS) ja 2014/53/EU (RED) oleellisten vaatimusten ja sitä koskevien direktiivien muiden ehtojen mukainen.

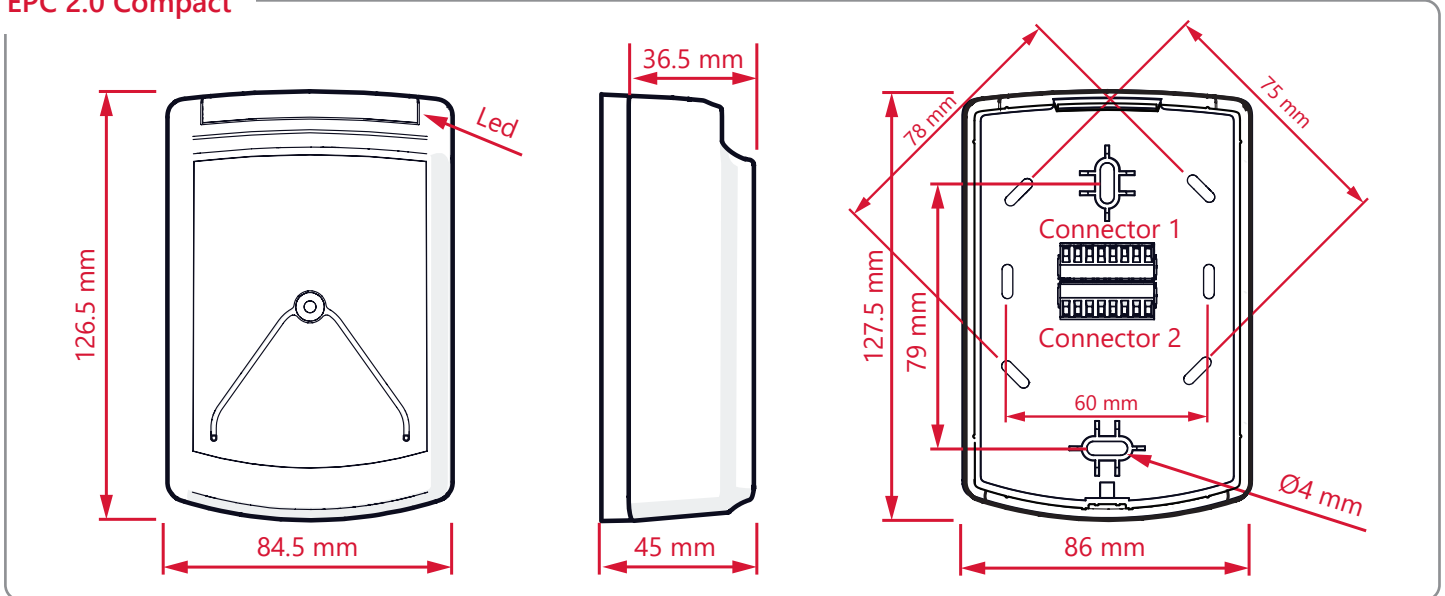
EPC 2.0 Compact reader herewith complies with the requirements of the EMC Directive 2014/30/EU, the Low Voltage Directive 2014/35/EU, the RoHS Directive 2011/65/EU, the RED Directive 2014/53/EU and carries the CE marking accordingly.

Power supply:  
 10...30 VDC  
 max 500 mA@10V, 200 mA@24V

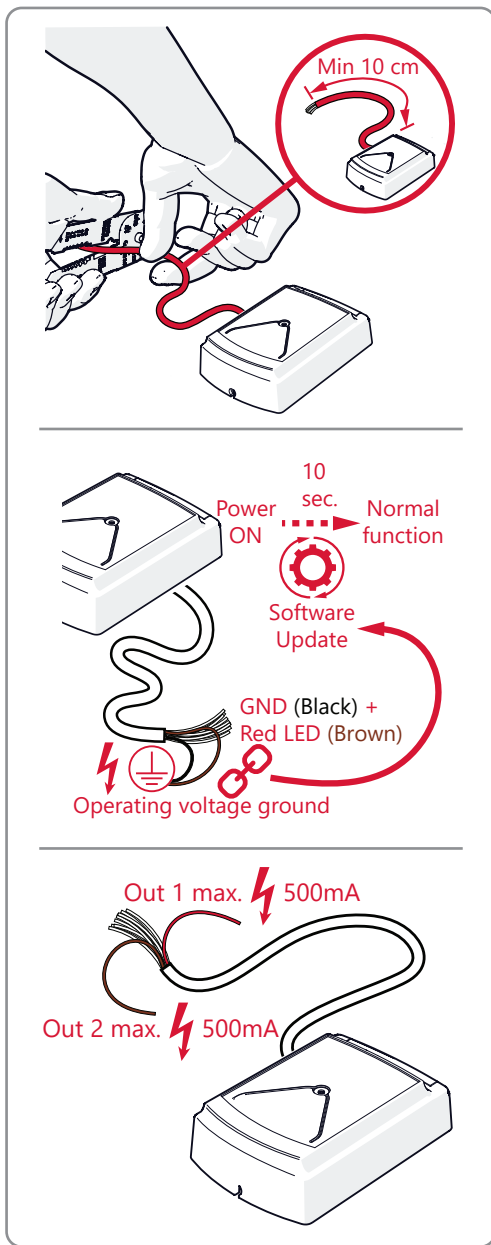
Connector 1:  
 10...30 VDC.....Pin 1  
 GND.....Pin 2  
 WIE0 / (Data).....Pin 3  
 WIE1 / (Clock).....Pin 4  
 TxD.....Pin 5  
 RxD.....Pin 6  
 Green LED.....Pin 7  
 Red LED / DWNL..Pin 8



### EPC 2.0 Compact



! Paste the sticker in place to finalize the installation.

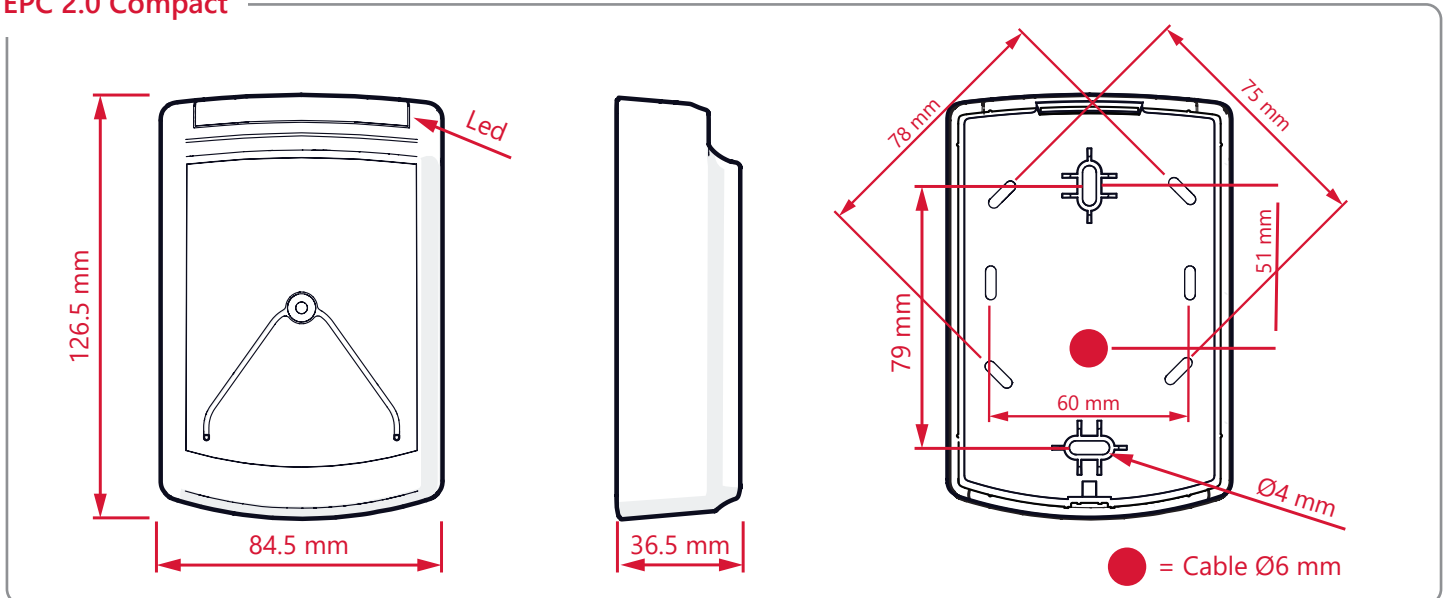


Power supply:  
 10...30 VDC  
 max 500 mA@10V, 200 mA@24V

Connection:

10...30 VDC.....	<b>Red</b>
GND.....	<b>Black</b>
WIE0 / (Data).....	<b>Green</b>
WIE1 / (Clock).....	<b>White</b>
TxD.....	<b>Pink</b>
RxD.....	<b>Grey</b>
Green LED.....	<b>Blue</b>
Red LED / DWNL.....	<b>Brown</b>
Buzzer.....	<b>Yellow</b>
In 1.....	<b>White</b> / <b>Green</b>
Out 1.....	<b>Red</b> / <b>Blue</b>
Out 2.....	<b>Brown</b> / <b>Green</b>

### EPC 2.0 Compact



**!** Paste the sticker in place to finalize the installation.

Idesco Oy reserves the right to revise this publication and to make changes to its content as well as the right to change or discontinue these products, at any time, without obligation to notify any person or entity of such revisions or changes. All trademarks and registered trademarks are property of their respective owners. C00856