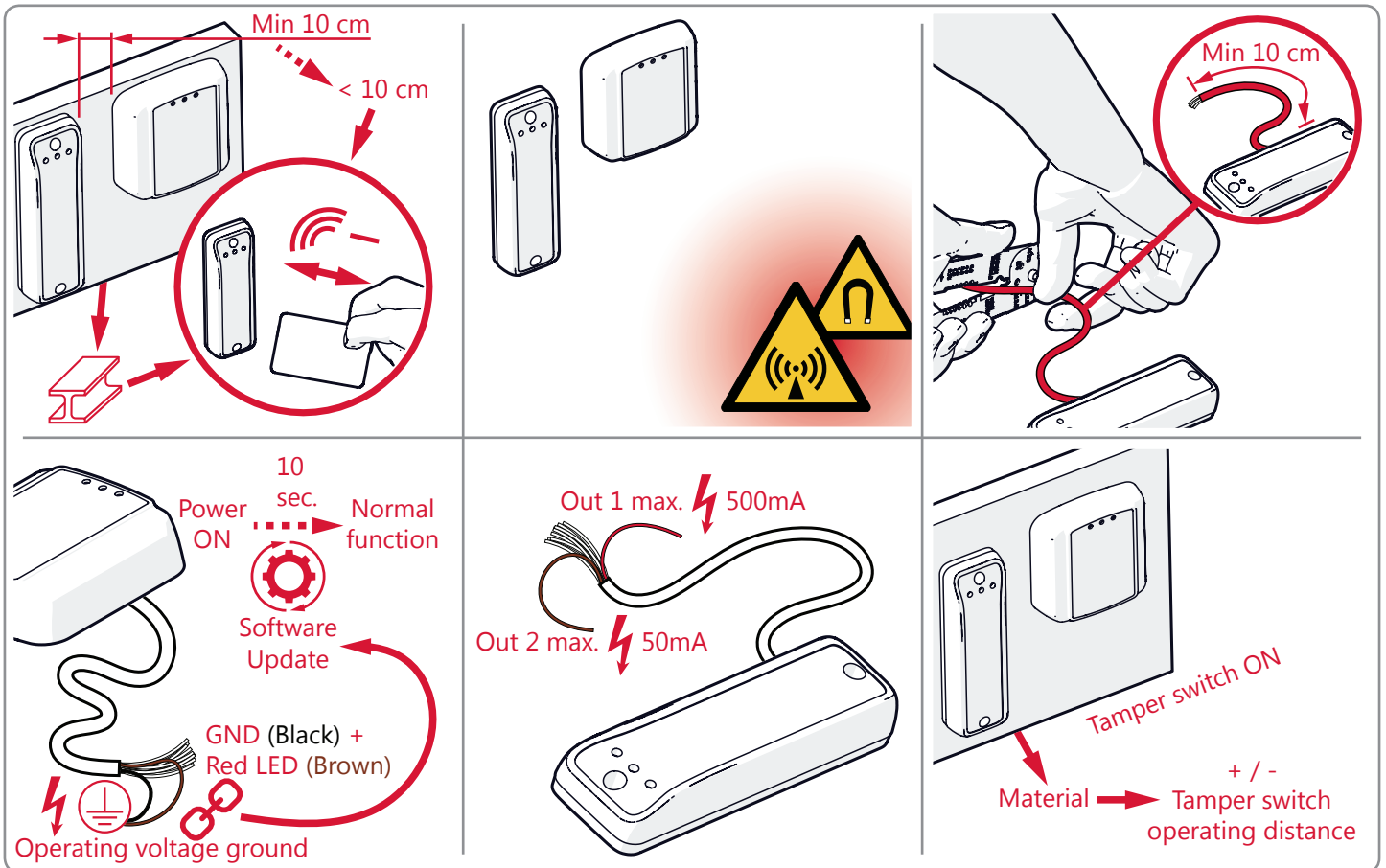
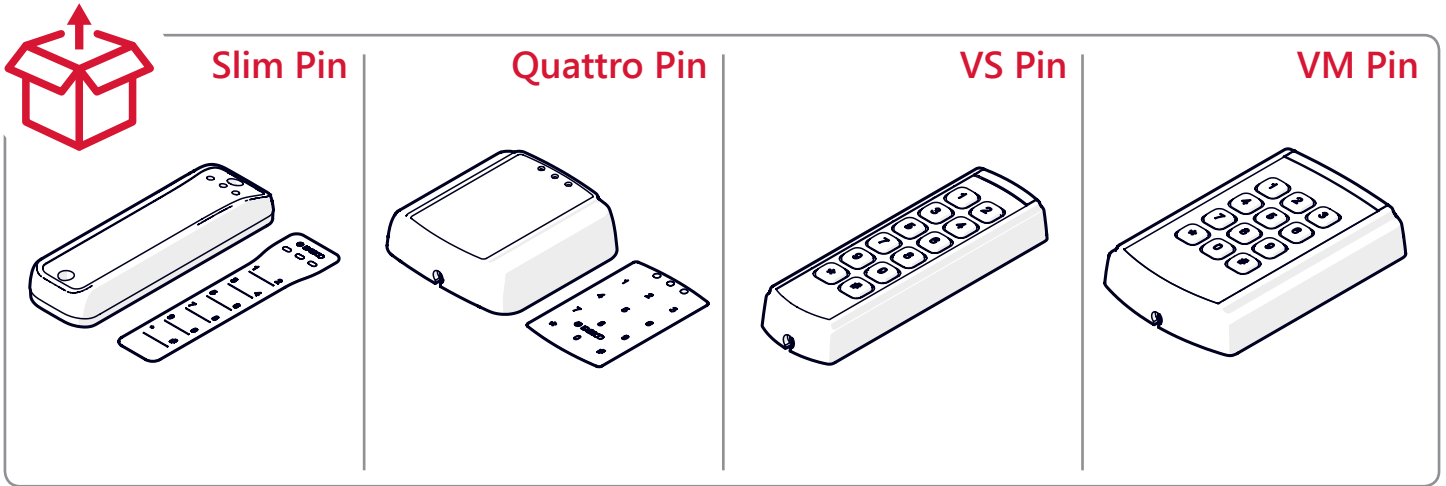


Installation Instructions - version 1.03

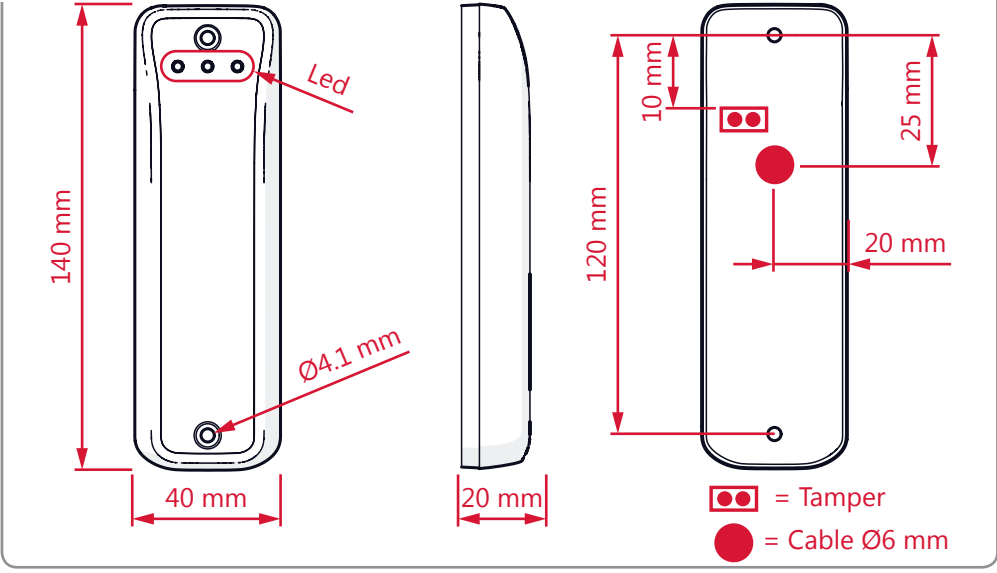
7C 2.0 / 8CD 2.0 / 7AH / 8CL 2.0 Pin



Idesco Oy vakuuttaa, että 7C 2.0 / 8CD 2.0 / 7AH / 8CL 2.0 Pin -lukija on direktiivien 2014/30/EU (EMC), 2014/35/EU (Low voltage directive), 2011/65/EU (RoHS) ja 2014/53/EU (RED) oleellisten vaatimusten ja sitä koskevien direktiivien muiden ehtojen mukainen.

7C 2.0 / 8CD 2.0 / 7AH / 8CL 2.0 Pin reader herewith complies with the requirements of the EMC Directive 2014/30/EU, the Low Voltage Directive 2014/35/EU, the RoHS Directive 2011/65/EU, the RED Directive 2014/53/EU and carries the CE marking accordingly.

Slim Pin

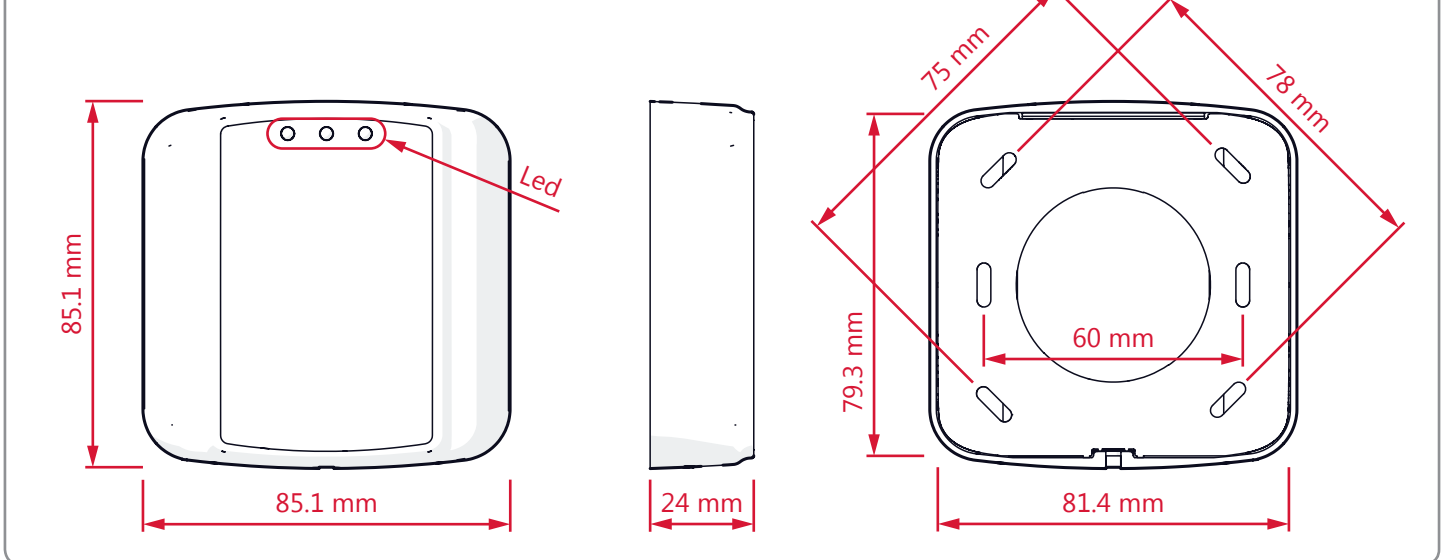


Power supply:
10...30 VDC 150 mA

Connection:

10...30 VDC.....	Red
GND.....	Black
WIE0 / (Data).....	Green
WIE1 / (Clock).....	White
TxD.....	Pink
RxD.....	Grey
Green LED.....	Blue
Red LED / DWNL.....	Brown
Buzzer.....	Yellow
Backlight control.....	Violet
Pinpad control.....	Grey / Pink
In 1.....	White / Green
Out 1.....	Red / Blue
Out 2.....	Brown / Green

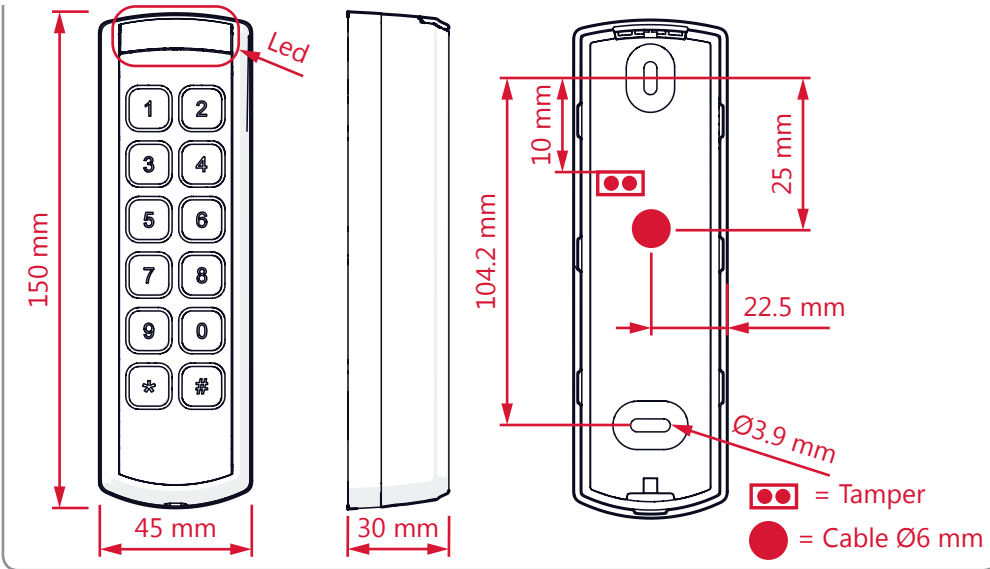
Quattro Pin



Paste the sticker in place to finalize the installation.



VS Pin



Power supply:
10...30 VDC 150 mA

Connection:

10...30 VDC.....	Red
GND.....	Black
WIE0 / (Data).....	Green
WIE1 / (Clock).....	White
TxD.....	Pink
RxD.....	Grey
Green LED.....	Blue
Red LED / DWNL.....	Brown
Buzzer.....	Yellow
Backlight control.....	Violet
Pinpad control.....	Grey / Pink
In 1.....	White / Green
Out 1.....	Red / Blue
Out 2.....	Brown / Green

VM Pin

